

# BAIER

## Elektro- werkzeuge

**BAIER**  
**BDN 452, BDN 453, BDN 454, BDN 455,**  
**BDN 463/4, BDN 464/4, BDN 466/6**



Maschinenfabrik  
OTTO BAIER GmbH

Heckenwiesen 26  
71679 Asperg  
Deutschland

Tel. +49 (0) 7141 30 32-0  
Fax +49 (0) 7141 30 32-43

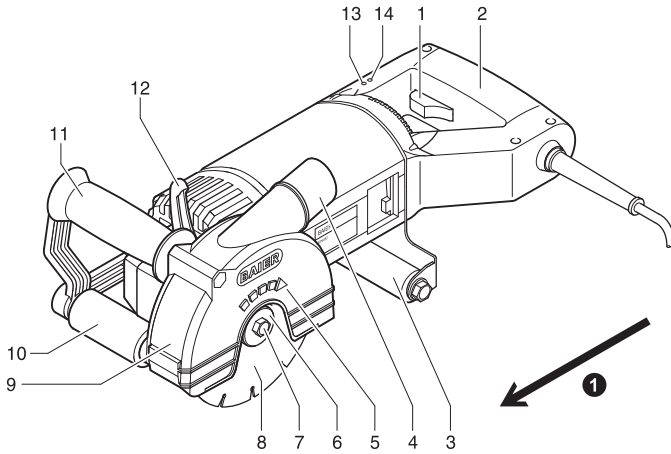
info@baier-tools.com  
www.baier-tools.com

Translation of the Original Instruction Manual – Diamond Cutters  
Tłumaczenie oryginalnej instrukcji obsługi – bruzdownice diamentowe

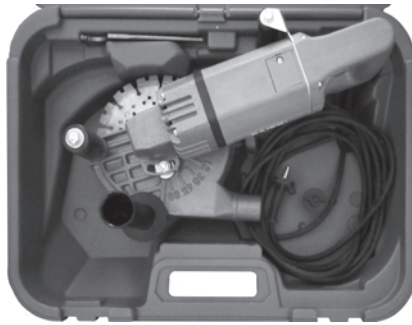
EN  
PL

<b>EN</b>	Translation of the Original Instruction Manual – Diamond Cutters	7 – 24
<b>PL</b>	Tłumaczenie oryginalnej instrukcji obsługi – bruzdownice diamentowe	25 – 42

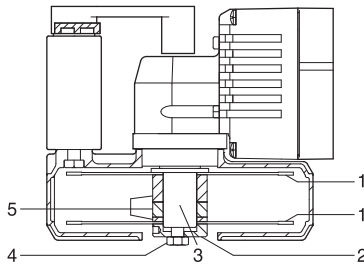
**1**



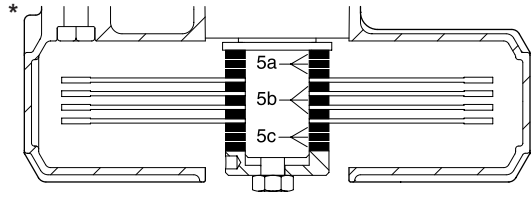
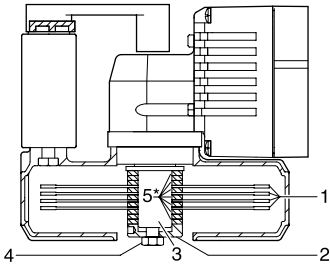
**2**



**3** BDN 452/BDN 453/BDN 454/BDN 455

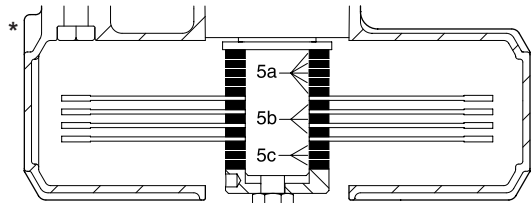
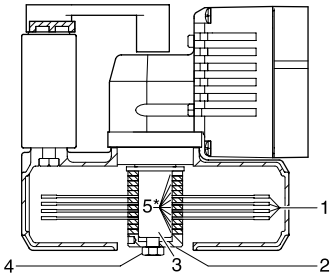


**4** BDN 463/4



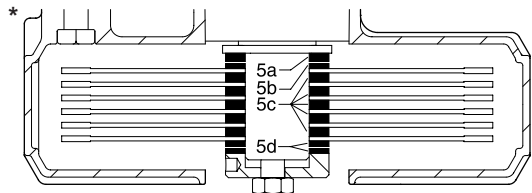
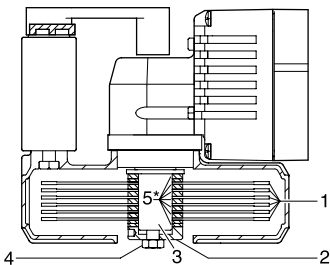
5a = 3x3 mm    5b = 3 mm    5c = 3x3 mm

**5** BDN 464/4



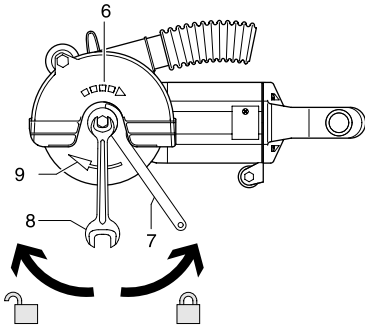
5a = 5x3 mm    5b = 3 mm    5c = 3x3 mm

**6** BDN 466/6



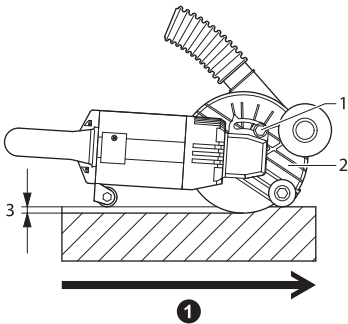
5a = 3 mm    5b = 2 mm    5c = 3 mm    5d = 2x2 mm

7

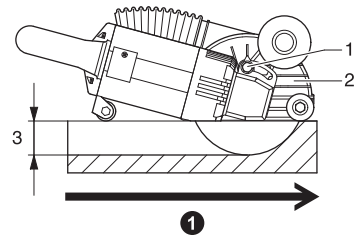


EN Left-hand thread  
PL Gwint lewy

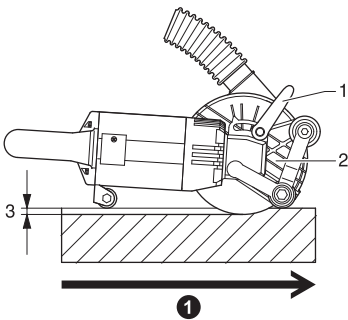
8



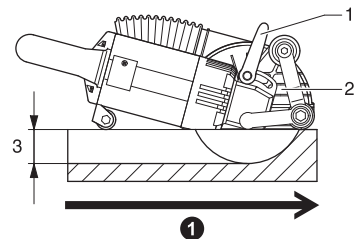
9



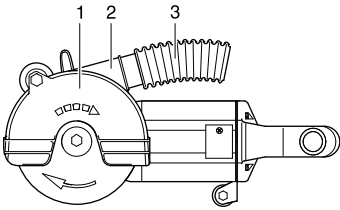
10



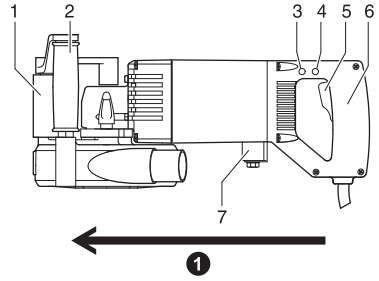
11



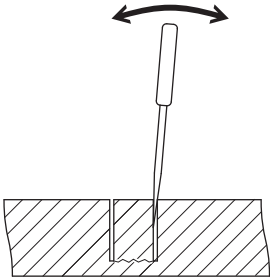
12



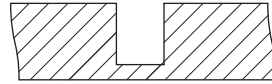
13



14



15



## Imprint

Version: V02/2018-09  
Copyright:

Maschinenfabrik  
OTTO BAIER GmbH  
Heckenwiesen 26  
71679 Asperg  
Germany

It is prohibited to forward or reproduce this document or to exploit and disclose its contents, unless expressly permitted. Any infringements will result in liability to pay compensation for damages. All rights reserved in case of patent, utility model or design registration.

This instruction manual has been prepared with the greatest possible care. Nonetheless, **OTTO BAIER GmbH** does not accept any liability whatsoever for possible errors in this instruction manual and their consequences. Equally, no liability whatsoever is accepted for direct or consequential damage or losses resulting from improper use of the machine.

The national health and safety regulations and the requirements of this instruction manual are to be observed when using the machine.

All product names and brand names used are the property of the holder and are not explicitly marked as such.

Subject to change without notice.

## Contents


<b>1</b>	<b>About this instruction manual</b> .....	8
1.1	Important information .....	8
1.2	Symbols used in the instruction manual ..	8
<b>2</b>	<b>Safety Notes</b> .....	9
2.1	Workplace safety .....	9
2.2	Electrical safety .....	9
2.3	Personal safety .....	9
2.4	Power tool use and care .....	10
2.5	Service .....	10
2.6	Safety Instructions for abrasive cutting-off operations .....	10
2.6.1	Cut-off machine safety warnings .....	10
2.6.2	Kickback and related warnings .....	11
2.7	Additional safety warnings .....	12
2.7.1	Operating personnel requirements .....	12
2.7.2	Workplace safety .....	12
2.7.3	Electrical safety .....	13
2.7.4	Safety of people .....	13
2.7.5	Hazards when using and handling the power tool .....	13
2.7.6	Service / Maintenance / Repair .....	14
2.7.7	Explanation of the pictograms on the diamond channel cutter .....	14
<b>3</b>	<b>Technical Characteristics</b> .....	15
3.1	Technical specifications .....	15
3.2	EU Declaration of Conformity .....	16
3.3	Machine characteristics .....	16
3.4	Machine parts and controls .....	16
3.5	Intended use .....	17
<b>4</b>	<b>Before Starting Work</b> .....	17
<b>5</b>	<b>Operation and Control</b> .....	17
5.1	Fit or replace diamond dry-cutting discs .....	17
5.2	Adjust cutting depth .....	19
5.3	Connect dust extractor .....	19
5.4	Switch on the diamond cutter and cut ....	20
5.5	Finish cutting process .....	20
<b>6</b>	<b>Cleaning</b> .....	21
<b>7</b>	<b>Maintenance</b> .....	21
<b>8</b>	<b>Recommended uses for BAIER diamond dry-cutting discs</b> .....	22
<b>9</b>	<b>Handling diamond dry-cutting discs</b> .....	22
<b>10</b>	<b>Tools and Accessories</b> .....	22
<b>11</b>	<b>Disposal</b> .....	22
<b>12</b>	<b>Scope of Supply</b> .....	23
<b>13</b>	<b>Warranty</b> .....	24

## 1 About this instruction manual

This instruction manual contains all important information necessary for safe handling of the diamond cutter.

The diamond cutter is also referred to as the "tool" or "machine" in this instruction manual.

### Figure references

References to figures, which are located at the beginning of the instruction manual are displayed in the text with this symbol  (here, for example, the reference is to Figure number 1).

### 1.1 Important information



#### Read the instruction manual

Before starting any work with or on the tool, this instruction manual, the safety instructions and the warnings must be read through carefully and observed.

**Always keep this instruction manual together with the equipment.**



**An approved half-mask with filter must be worn!**

### 1.2 Symbols used in the instruction manual



#### DANGER

"DANGER" indicates an imminent hazard, which will result in immediate death or severe physical injuries.

→ This arrow indicates appropriate measures to avert the pending hazard.



#### WARNING

"WARNING" indicates an imminent hazard, which could result in death or severe physical injuries.

→ This arrow indicates appropriate measures to avert the pending hazard.



#### CAUTION

"CAUTION" indicates an imminent hazard, which can result in minor or moderate physical injuries or damage to property.

→ This arrow indicates appropriate measures to avert the pending hazard.



#### NOTE

"NOTE" indicates use recommendations and helpful tips.



---

## 2 Safety Notes

---

### General Power Tool Safety Warnings



#### WARNING

**Read all safety warnings and all instructions.**  
*Failure to follow the warnings and instructions may result in electric shock, fire and/or serious injury.*

**Save all warnings and instructions for future reference.**

*The term "power tool" in the warnings refers to your mainsoperated (corded) power tool or battery-operated (cordless) power tool.*

---

### 2.1 Workplace safety

---

- a) **Keep work area clean and well lit.**  
*Cluttered or dark areas invite accidents.*
- b) **Do not operate power tools in explosive atmospheres, such as in the presence of flammable liquids, gases or dust.**  
*Power tools create sparks which may ignite the dust or fumes.*
- c) **Keep children and bystanders away while operating a power tool.**  
*Distractions can cause you to lose control.*

---

### 2.2 Electrical safety

---

- a) **Power tool plugs must match the outlet. Never modify the plug in any way. Do not use any adapter plugs with earthed (grounded) power tools.**  
*Unmodified plugs and matching outlets will reduce risk of electric shock.*
- b) **Avoid body contact with earthed or grounded surfaces, such as pipes, radiators, ranges and refrigerators.**  
*There is an increased risk of electric shock if your body is earthed or grounded.*
- c) **Do not expose power tools to rain or wet conditions.**  
*Water entering a power tool will increase the risk of electric shock.*
- d) **Do not abuse the cord. Never use the cord for carrying, pulling or unplugging the power tool. Keep cord away from heat, oil, sharp edges and moving parts.**  
*Damaged or entangled cords increase the risk of electric shock.*

- e) **When operating a power tool outdoors, use an extension cord suitable for outdoor use.**  
*Use of a cord suitable for outdoor use reduces the risk of electric shock.*
- f) **If operating a power tool in a damp location is unavoidable, use a residual current device (RCD) protected supply.**  
*Use of an RCD reduces the risk of electric shock.*

---

### 2.3 Personal safety

---

- a) **Stay alert, watch what you are doing and use common sense when operating a power tool. Do not use a power tool while you are tired or under the influence of drugs, alcohol or medication.**  
*A moment of inattention while operating power tools may result in serious personal injury.*
- b) **Use personal protective equipment. Always wear eye protection.**  
*Protective equipment such as dust mask, non-skid safety shoes, hard hat, or hearing protection used for appropriate conditions will reduce personal injuries.*
- c) **Prevent unintentional starting. Ensure the switch is in the off-position before connecting to power source and/or battery pack, picking up or carrying the tool.**  
*Carrying power tools with your finger on the switch or energising power tools that have the switch on invites accidents.*
- d) **Remove any adjusting key or wrench before turning the power tool on.**  
*A wrench or a key left attached to a rotating part of the power tool may result in personal injury.*
- e) **Do not overreach. Keep proper footing and balance at all times.**  
*This enables better control of the power tool in unexpected situations.*
- f) **Dress properly. Do not wear loose clothing or jewellery. Keep your hair, clothing and gloves away from moving parts.**  
*Loose clothes, jewellery or long hair can be caught in moving parts.*
- g) **If devices are provided for the connection of dust extraction and collection facilities, ensure these are connected and properly used.**  
*Use of dust collection can reduce dust-related hazards.*
- h) **Don't be lulled into a false sense of safety and do not break the safety rules for power tools even if, after much use, you are familiar with the power tool.**  
*Careless action can cause severe injuries within fractions of a second.*

---

## 2.4 Power tool use and care

---

- a) **Do not force the power tool. Use the correct power tool for your application.**  
*The correct power tool will do the job better and safer at the rate for which it was designed.*
- b) **Do not use the power tool if the switch does not turn it on and off.**  
*Any power tool that cannot be controlled with the switch is dangerous and must be repaired.*
- c) **Disconnect the plug from the power source and/or the battery pack from the power tool before making any adjustments, changing accessories, or storing power tools.**  
*Such preventive safety measures reduce the risk of starting the power tool accidentally.*
- d) **Store idle power tools out of the reach of children and do not allow persons unfamiliar with the power tool or these instructions to operate the power tool.**  
*Power tools are dangerous in the hands of untrained users.*
- e) **Maintain power tools. Check for misalignment or binding of moving parts, breakage of parts and any other condition that may affect the power tool's operation. If damaged, have the power tool repaired before use.**  
*Many accidents are caused by poorly maintained power tools.*
- f) **Keep cutting tools sharp and clean.**  
*Properly maintained cutting tools with sharp cutting edges are less likely to bind and are easier to control.*
- g) **Use the power tool, accessories and tool bits etc. in accordance with these instructions, taking into account the working conditions and the work to be performed.**  
*Use of the power tool for operations different from those intended could result in a hazardous situation.*
- h) **Keep the handles and gripping surfaces dry, clean and free from oil and grease.**  
*Slippery handles and gripping surfaces prevent safe operation and control of the power tool in unforeseen situations.*

---

## 2.5 Service

---

- a) **Have your power tool serviced by a qualified repair person using only identical replacement parts.**  
*This will ensure that the safety of the power tool is maintained.*

---

## 2.6 Safety Instructions for abrasive cutting-off operations

---

### 2.6.1 Cut-off machine safety warnings

---

- a) **The guard provided with the tool must be securely attached to the power tool and positioned for maximum safety, so the least amount of wheel is exposed towards the operator. Position yourself and bystanders away from the plane of the rotating wheel.**  
*The guard helps to protect operator from broken wheel fragments and accidental contact with wheel.*
- b) **Use only diamond cut-off wheels for your power tool.**  
*Just because an accessory can be attached to your power tool, it does not assure safe operation.*
- c) **The rated speed of the accessory must be at least equal to the maximum speed marked on the power tool.**  
*Accessories running faster than their rated speed can break and fly apart.*
- d) **Wheels must be used only for recommended applications. For example: do not grind with the side of cut-off wheel.**  
*Abrasive cut-off wheels are intended for peripheral grinding, side forces applied to these wheels may cause them to shatter.*
- e) **Always use undamaged wheel flanges that are of correct diameter for your selected wheel.**  
*Proper wheel flanges support the wheel thus reducing the possibility of wheel breakage.*
- f) **The outside diameter and the thickness of your accessory must be within the capacity rating of your power tool.**  
*Incorrectly sized accessories cannot be adequately guarded or controlled.*
- g) **The arbour size of wheels and flanges must properly fit the spindle of the power tool. Wheels and flanges with arbour holes that do not match the mounting hardware of the power tool will run out of balance, vibrate excessively and may cause loss of control.**
- h) **Do not use damaged wheels. Before each use, inspect the wheels for chips and cracks. If power tool or wheel is dropped, inspect for damage or install an undamaged wheel. After inspecting and installing the wheel, position yourself and bystanders away from the plane of the rotating wheel and run the power tool at maximum no load speed for one minute.**  
*Damaged wheels will normally break apart during this test time.*

- i) **Wear personal protective equipment.** Depending on application, use face shield, safety goggles or safety glasses. As appropriate, wear dust mask, hearing protectors, gloves and shop apron capable of stopping small abrasive or workpiece fragments.

*The eye protection must be capable of stopping flying debris generated by various operations.*

*The dust mask or respirator must be capable of filtering particles generated by your operation. Prolonged exposure to high intensity noise may cause hearing loss.*

- j) **Keep bystanders a safe distance away from work area. Anyone entering the work area must wear personal protective equipment.** Fragments of workpiece or of a broken wheel may fly away and cause injury beyond immediate area of operation.

- k) **Hold the power tool by insulated gripping surfaces only, when performing an operation where the cutting accessory may contact hidden wiring or its own cord.** Cutting accessory contacting a "live" wire may make exposed metal parts of the power tool "live" and could give the operator an electric shock.

- l) **Position the cord clear of the spinning accessory.**

*If you lose control, the cord may be cut or snagged and your hand or arm may be pulled into the spinning wheel.*

- m) **Never lay the power tool down until the accessory has come to a complete stop.**

*The spinning wheel may grab the surface and pull the power tool out of your control.*

- n) **Do not run the power tool while carrying it at your side.**

*Accidental contact with the spinning accessory could snag your clothing, pulling the accessory into your body.*

- o) **Regularly clean the power tool's air vents.**

*The motor's fan will draw the dust inside the housing and excessive accumulation of powdered metal may cause electrical hazards.*

- p) **Do not operate the power tool near flammable materials.**

*Sparks could ignite these materials.*

- q) **Do not use accessories that require liquid coolants.**

*Using water or other liquid coolants may result in electrocution or shock.*

---

## 2.6.2 Kickback and related warnings

---

*Kickback is a sudden reaction to a pinched or snagged rotating wheel. Pinching or snagging causes rapid stalling of the rotating wheel which in turn causes the uncontrolled power tool to be forced in the direction opposite of the wheel's rotation at the point of the binding.*

*For example, if an abrasive wheel is snagged or pinched by the workpiece, the edge of the wheel that is entering into the pinch point can dig into the surface of the material causing the wheel to climb out or kick out. The wheel may either jump toward or away from the operator, depending on direction of the wheel's movement at the point of pinching. Abrasive wheels may also break under these conditions.*

*Kickback is the result of power tool misuse and/or incorrect operating procedures or conditions and can be avoided by taking proper precautions as given below.*

- a) **Maintain a firm grip on the power tool and position your body and arm to allow you to resist kickback forces. Always use auxiliary handle, if provided, for maximum control over kickback or torque reaction during start-up.**

*The operator can control torque reactions or kickback forces, if proper precautions are taken.*

- b) **Never place your hand near the rotating accessory.**

*Accessory may kickback over your hand.*

- c) **Do not position your body in line with the rotating wheel.**

*Kickback will propel the tool in direction opposite to the wheel's movement at the point of snagging.*

- d) **Use special care when working corners, sharp edges, etc. Avoid bouncing and snagging the accessory.**

*Corners, sharp edges or bouncing have a tendency to snag the rotating accessory and cause loss of control or kickback.*

- e) **Do not attach a saw chain, woodcarving blade, segmented diamond wheel with a peripheral gap greater than 10 mm or toothed saw blade.**

*Such blades create frequent kickback and loss of control.*

- f) **Do not "jam" the wheel or apply excessive pressure. Do not attempt to make an excessive depth of cut.**

*Overstressing the wheel increases the loading and susceptibility to twisting or binding of the wheel in the cut and the possibility of kickback or wheel breakage.*

- g) **When wheel is binding or when interrupting a cut for any reason, switch off the power tool and hold the power tool motionless until the wheel comes to a complete stop. Never attempt to remove the wheel from the cut while the wheel is in motion otherwise kickback may occur.**

*Investigate and take corrective action to eliminate the cause of wheel binding.*

- h) **Do not restart the cutting operation in the workpiece. Let the wheel reach full speed and carefully re-enter the cut.**

*The wheel may bind, walk up or kickback if the power tool is restarted in the workpiece.*

- i) **Support panels or any oversized workpiece to minimize the risk of wheel pinching and kickback.**

*Large workpieces tend to sag under their own weight. Supports must be placed under the workpiece near the line of cut and near the edge of the workpiece on both sides of the wheel.*

- j) **Use extra caution when making a “pocket cut” into existing walls or other blind areas.**

*The protruding wheel may cut gas or water pipes, electrical wiring or objects that can cause kickback.*

---

## 2.7 Additional safety warnings

---

### 2.7.1 Operating personnel requirements

---

- **People below the age of 16 may not use the machine.**
- **The operating personnel must be familiar with the content of this instruction manual.**

---

### 2.7.2 Workplace safety

---




- **Before chasing in load-bearing walls, consult the responsible structural engineer, architects or the site supervisors.**
- **Secure the work area also behind openings and cutouts.**  
*Unsecured work areas can endanger you and other people.*
- **Watch out for open and concealed electricity cables, and water and gas pipes. Use suitable detectors to find concealed utility pipes and cables, or contact the local utility company for advice.**  
*Contact with electricity cables can cause fires and an electric shock. Damage to a gas pipe can cause an explosion. Penetrating a water pipe causes damage to property or could cause an electric shock.*
- **Avoid causing situations where other people can stumble or trip.**  
*Tripping over cables can cause serious injuries.*
- **Secure the workpiece.**  
*A workpiece securely held in clamping devices or a vice is more safely held than in the hand.*
- **Avoid dust accumulation in the workplace.**  
*Dusts can easily ignite.*
- **Ensure adequate ventilation in closed rooms.**  
*Risk due to dust and impaired vision.*
- **Dust from materials such as coatings containing lead, several types of wood, minerals and metals can be harmful to health and cause allergic reactions, respiratory diseases and/or cancer.**  
*Asbestos-containing material may only be machined by specialists.*
  - ▶ *Wherever possible, use a dust extractor suitable for the material you are working on (e.g. a special BAIER dust extractor).*
  - ▶ *Ensure the workplace is properly ventilated.*
  - ▶ *We recommend wearing a face mask respirator with filter class P2 or P3 (to EN 149:2001).*

*Observe the relevant regulations in your country for the materials to be machined.*

### 2.7.3 Electrical safety

- **Before each use, check the power tool, connection cable and plug for damage.**  
*Damaged equipment is dangerous, and no longer safe to use.*
- **Note the mains voltage! The power source voltage must match the details given on the rating plate of the power tool.**
- **If using the power tool with mobile generators, loss of power or atypical behaviour on switching on is possible.**
- **Do not use the power tool if the cable is damaged. Do not touch the damaged cable and disconnect the mains plug if the cable is damaged while you are working.**  
*Damaged cables increase the risk of an electric shock.*
- **Only use extension cables suitable for the machine's power consumption and which have a minimum core cross-section of 1.5 mm<sup>2</sup>. If you use a cable drum, always completely unwind the cable.**  
*The rolled up cable can heat up and start to burn.*
- **External electromagnetic interference (e.g. mains voltage fluctuations, electrostatic discharges) can cause the power tool to switch off automatically.**  
*In this case, switch off the power tool and then switch it back on again.*

### 2.7.4 Safety of people

- **Wear personal protective equipment and, depending on the work situation, use:**
  -  **Full-face protection, eye protection or safety glasses/goggles, hard hat and special apron**  
*Protect yourself against debris thrown up by wearing a hard hat, safety goggles or face protection and wear an apron, if necessary.*
  -  **Hearing protection**  
*The typical A-weighted sound pressure level of this power tool is over 85 dB (A) while working with the tool. If you are exposed to loud noise for lengthy periods, there is a risk of hearing damage or even hearing loss.*
  -  **Anti-vibration safety glove**  
*At a release value A (8) for arm-hand vibrations of over 2.5 m/s<sup>2</sup>, the wearing of anti-vibration safety gloves is recommended.*



**Non-slip safety footwear**



**Dust mask, half-face filter mask or face mask respirator**

*Inhaling fine mineral dust can cause health damage. We recommend wearing a face mask respirator with filter class P2 or P3 (to EN 149:2001). Working with diamond dry-cutting discs is a grinding process in which extremely fine dust is produced. When cutting materials containing quartz there is a very high risk of silicosis; the machine should therefore only be used in conjunction with a suitable dust extractor (e.g. a special BAIER dust extractor).*

- **If the machine is switched on, do not direct insert tools towards your own or other people's bodies. Do not touch or take hold of the tools.**

### 2.7.5 Hazards when using and handling the power tool

- **When switching on and while working with the power tool, hold onto it tightly at both handles and place your body and arms in a position in which they can absorb the kickback forces or reaction torque on starting up. Always put the machine down firmly on both rollers.**  
*The person using the tool can control the kickback and reaction forces by taking suitable precautions.*
- **Change insert tools carefully and only use the mounting tools provided, if they are in perfect condition. Disconnect the mains plug before changing the insert tool.**  
*Use of the mounting tool provided prevents damage to the power tool and insert tool.*
- **After fitting the diamond dry-cutting discs, before switching on, check that the diamond dry-cutting discs are fitted correctly and can rotate freely. Ensure that the diamond dry-cutting discs do not touch the protective hood or other parts.**
- **Do not expose power tools to extreme heat or cold.**  
*Mechanical and electrical damage can occur during extreme heat and/or cold.*

- **Allow the insert tools, tool holders and other parts cool in the immediate vicinity of the work area after use.**  
*The equipment can be very hot after use. Do not touch or grip the parts. Risk of injury.*
- **Additional signs or other, non BAIER-specific parts may not be screwed or riveted onto the motor, handle, gearbox or protective housing.**  
*This could damage the power tool and cause malfunctions to occur.*
- **Avoid unnecessary noise emissions.**
- **Note and follow the safety and work instructions for the accessories used.**

### 2.7.6 Service / Maintenance / Repair

- **If the power tool is dropped or becomes wet, have it checked.**  
*A possibly damaged power tool is dangerous and no longer safe to operate. Before using the power tool again, have it checked by our customer service or an authorised service centre of Maschinenfabrik OTTO BAIER GmbH.*
- **Repair and maintenance work may only be carried out by an authorised workshop of Maschinenfabrik OTTO BAIER GmbH.**  
*Otherwise, all liability and warranty claims against Maschinenfabrik OTTO BAIER GmbH expire.*

#### NOTE

When using new carbon brushes, the machine may only be operated within the green range for the first 15 minutes - observe LED display in the handle.

- **Ensure that original BAIER spare parts and original BAIER accessories only are used when needed.**  
*Original parts are available from authorised dealers. Use of non original parts can cause damage to the machine and an increased risk of accidents.*
- **Regular servicing by Maschinenfabrik OTTO BAIER GmbH or a servicing and repair company authorised by us is specified.**  
*Many accidents are caused by poorly serviced and maintained power tools.*

### 2.7.7 Explanation of the pictograms on the diamond channel cutter



The CE mark on a product means that the product conforms with all the applicable European regulations and has been subjected to the prescribed conformity assessment procedures.



#### Protection class II equipment

The machine is insulated in such a way that it has no exposed metal parts that could be live in the event of a fault. It does not have a protective earth conductor.



#### Environmentally friendly disposal of waste equipment

Waste equipment contains valuable recyclable materials which should be reused or recycled. Batteries, lubricants and similar materials must not be allowed to get into the environment. Therefore, please dispose of waste equipment through suitable collection systems.



#### Wear hearing protection!

The typical A-weighted sound pressure level of this power tool is over 85 dB (A) – wear ear protectors when working with the tool!



#### Wear protective equipment!



#### Read the instruction manual!

Before starting any work with or on the machine, this instruction manual, the safety instructions and the warnings must be read through carefully and observed.

### 3 Technical Characteristics

#### 3.1 Technical specifications

Diamond channel cutter type	BDN 452	BDN 453	BDN 454	BDN 455
Manufacturer	Maschinenfabrik OTTO BAIER GmbH			
Operating voltage (V/Hz)	~230 / 50/60			
Power consumption (watt)	1650	1800	1800	2150
Protection class	□/II	□/II	□/II	□/II
No-load speed (min <sup>-1</sup> )	7800	7800	4100	7200
Disc diameter (mm)	150	150	185	185
Max. disc thickness (mm)	3.5	3.5	3.5	3.5
Cutting width (mm)	7 – 27	7 – 35	9 – 43	9 – 43
Cutting depth (mm)	7 – 30	7 – 45	15 – 60	15 – 60
Weight (kg)				
Machine <sup>1)</sup>	5.3	5.6	6.6	5.8
Cutting disc	0.220	0.220	0.380	0.380
Speed electronics	Yes	Yes	Yes	Yes
Sound measurement <sup>2)</sup>	K = 3 dB			
L <sub>pA</sub> (sound pressure) dB (A)	95	95	99	95
L <sub>WA</sub> (sound power) dB (A)	106	106	110	106
Vibration measurement: <sup>6)</sup>	K = 1.5 m/s <sup>2</sup>			
Front handle (1) <b>1</b> m/s <sup>2</sup>	2.79	2.79	2.11	3.32
Rear handle (2) <b>1</b> m/s <sup>2</sup>	3.73	3.73	3.24	4.47

Diamond channel cutter type	BDN 463/4	BDN 464/4	BDN 466/6
Manufacturer	Maschinenfabrik OTTO BAIER GmbH		
Operating voltage (V/Hz)	~230 / 50/60		
Power consumption (watt)	2150	2400	2400
Protection class	□/II	□/II	□/II
No-load speed (min <sup>-1</sup> )	8200	7200	7200
Disc diameter (mm)	150	185	150
Max. disc thickness (mm)	3.5	3.5	3.5
Cutting width (mm)	7 – 35 <sup>3)</sup>	9 – 43 <sup>4)</sup>	7 – 35 <sup>5)</sup>
Cutting depth (mm)	7 – 45	15 – 60	7 – 45
Weight (kg)			
Machine <sup>1)</sup>	5.6	6.4	6.2
Cutting disc	0.220	0.380	0.220
Speed electronics	Yes	Yes	Yes
Sound measurement <sup>2)</sup>	K = 3 dB		
L <sub>pA</sub> (sound pressure) dB (A)	95	96	96
L <sub>WA</sub> (sound power) dB (A)	106	107	107
Vibration measurement: <sup>6)</sup>	K = 1.5 m/s <sup>2</sup>		
Front handle (1) <b>1</b> m/s <sup>2</sup>	3.32	3.45	2.6
Rear handle (2) <b>1</b> m/s <sup>2</sup>	4.47	4.61	3.8

<sup>1)</sup> Weight without insert tool and connection cable.

<sup>2)</sup> Measured values for noise determined according to EN 60745. **Wear hearing protection!**

<sup>3)</sup> With a cutting width of 7 – 18 mm, a clear channel is formed.

<sup>4)</sup> With a cutting width of 9 – 18 mm, a clear channel is formed.

<sup>5)</sup> With a cutting width of 26 mm, a clear channel is formed.

<sup>6)</sup> Total vibration values (vector sum in three directions) determined according to EN 60745 (continued on next page).

The vibration emission values given in this instruction manual have been measured according to a method of measurement standardised in EN 60745 and can be used for comparison between power tools. They are also suitable for a preliminary estimate of the vibratory stresses.

The vibration emission values given represent the main applications of the power tool. If the power tool is used for other applications, with different insert tools or are insufficiently serviced, this can significantly increase the vibratory stresses over the whole work period. For a precise estimate of the vibration emission values, the times during which the tool is switched off or is running but not actually in use should also be taken into account. This can reduce the vibration stresses over the whole work period significantly.



## WARNING

Health risk due to vibrations.

- Additional safety measures should be taken to protect the user, e.g. wearing anti-vibration protective gloves, correct maintenance of power tools and insert tools, keeping hands warm and good organisation of work sequences.

## 3.2 EU Declaration of Conformity

**CE** We herewith declare, with sole responsibility, that this product conforms to the following standards or normative documents:

EN 60745

in accordance with the provisions of the Directives 2006/42/EC; 2014/30/EU; 2011/65/EU

The head of development is authorised to write the technical documents.

These are available from:

Maschinenfabrik OTTO BAIER GmbH,  
Heckenwiesen 26,  
71679 Asperg  
Germany

Thomas Schwab  
Managing Director

Robert Pichl  
Head of Development

Asperg, 04.09.2018

## 3.3 Machine characteristics

The machines are equipped with specially developed electronics. It monitors the speed and the green / red indicator lights (items 13 and 14, see Figure 1) help to achieve the most favourable work progress and therefore tool-protecting working conditions.

Visual display

Green: Speed for optimum cutting performance

Red: Speed too low – stopping

If this warning signal is ignored, i.e. the feed is not reduced, the electronics switch off on overload. After the diamond dry-cutting discs have stopped, remove them from the chase. The machine can be restarted immediately.

## 3.4 Machine parts and controls

(See Figure 1)

- 1 ON / OFF switch
- 2 Handle
- 3 Rear roller
- 4 Nozzle for dust extractor hose connection
- 5 Rotation direction arrow
- 6 Washer
- 7 Hexagonal screw (left-hand thread)
- 8 Diamond dry-cutting disc
- 9 Protective hood
- 10 Front roller
- 11 Front handle
- 12 Clamping lever  
(BDN 463/4 and BDN 466/6)  
or hexagon head screw  
(BDN 452, BDN 453, BDN 454, BDN 455 and  
BDN 464/4)
- 13 Green LED
- 14 Red LED
- ① Working direction



---

### 3.5 Intended use

---

The diamond cutters listed in this instruction manual are only approved for dry cutting in masonry (brick, lime-sand blocks, undressed stone) and concrete. They must not be used for wet cutting or for cuts in metal, glass, wood, etc.

- **Observe the relevant regulations in your country for the materials to be machined.**
- The diamond cutters are only approved for use together with a dust extractor, which is suitable for stone dust (e.g. BAIER Special Dust Extractor).



#### WARNING

Risk of injury due to cracking and breaking of the diamond dry-cutting disc (bits of disc flying around).

→ Diamond dry-cutting discs are designed for **straight** cuts.

If used to cut curves the diamond dry-cutting disc becomes deformed which causes internal cracks and segments to break off.

- Do not expose diamond dry-cutting discs to lateral pressure.
- Never use diamond dry-cutting discs for rough grinding.

---

## 4 Before Starting Work

---

To ensure safe working with the diamond cutter, the following points must be observed before each use:

- Read through all safety instructions and warnings in this instruction manual.
- Wear protective clothing such as hard hat, hearing protection or safety goggles, safety gloves and if necessary an apron.
- The voltage on the rating plate must be identical with the mains voltage.
- Before using the machine, always check the connection cable and plug.
- Connect a suitable dust extractor (e.g. BAIER special dust extractor).



#### WARNING

Risk of injury due to cracking and breaking of the diamond dry-cutting discs.

- Only use diamond dry-cutting discs whose allowable speed is at least as high as the highest no-load speed of the diamond cutter, and follow the manufacturer's instructions on fitting and using the diamond dry-cutting discs.
- Only use the diamond dry-cutting discs recommended by Maschinenfabrik OTTO BAIER GmbH for the respective use (see selection table with recommended uses on page 22).
- Only use diamond dry-cutting discs approved for dual cutting.
- Note and follow the information and instructions on handling diamond dry-cutting discs (see page 22).
- Always note the dimension of the diamond dry-cutting discs. The hole diameter must tightly fit on the drive shaft (Ø 22.2 mm) without any clearance.
- Do not use reducers or adaptors to fit the diamond dry-cutting discs.
- Before starting work, check the diamond dry-cutting discs for perfect fit and check that they are properly fastened.

---

## 5 Operation and Control

---

### 5.1 Fit or replace diamond dry-cutting discs

---

If the diamond cutter is used with two or several diamond dry-cutting discs they should be swapped over occasionally to ensure uniform wear. Unevenly worn diamond dry-cutting discs should not be used together.

The diamond cutter can also be used with only one diamond dry-cutting disc.

## Fitting and changing the diamond dry-cutting discs for:

### BDN 452, BDN 453, BDN 454 and BDN 455

- **3** Place the first diamond dry-cutting disc (1) on the drive shaft (3).
- **7** Note the rotational direction arrow on the housing (6) and the diamond dry-cutting disc (9).
- **3** Place spacer discs (5) on the drive shaft (3) depending on the required chase width.
- **3** Place the second diamond dry-cutting disc (1) on the drive shaft (3).
- **7** Note the rotational direction arrow on the housing (6) and the diamond dry-cutting disc (9). This fitting step is omitted the tool is used with one diamond dry-cutting disc only.
- **3** Place all the remaining spacer discs (5) on the drive shaft (3). The drive shaft (3) must still protrude, so that the washer (2) can be centred.

### BDN 463/4

The maximum ridge-free chase width is achieved by fitting the following spacers:

- **4** Place three spacer discs, each 3 mm thick (5a), on the drive shaft (3).
- **4** Place the first diamond dry-cutting disc (1) on the drive shaft (3).
- **7** Note the rotational direction arrow on the housing (6) and the diamond dry-cutting disc (9).
- **4** Place a spacer disc, 3 mm thick (5b) on the drive shaft (3).
- **4** Now place another diamond dry-cutting disc (1) and a spacer disc, 3 mm thick (5b) alternately on the drive shaft (3).
- **7** Note the rotational direction arrow on the housing (6) and the diamond dry-cutting disc (9).
- **4** After the fourth diamond dry-cutting disc place three further spacer discs, each 3 mm thick (5c), on the drive shaft (3). The drive shaft (3) must still protrude, so that the washer (2) can be centred.

### BDN 464/4

The maximum ridge-free chase width is achieved by fitting the following spacers:

- **5** Place five spacer discs, each 3 mm thick (5a), on the drive shaft (3).
- **5** Place the first diamond dry-cutting disc (1) on the drive shaft (3).
- **7** Note the rotational direction arrow on the housing (6) and the diamond dry-cutting disc (9).
- **5** Place a spacer disc, 3 mm thick (5b) on the drive shaft (3).
- **5** Now place another diamond dry-cutting disc (1) and a spacer disc, 3 mm thick (5b) alternately on the drive shaft (3).
- **7** Note the rotational direction arrow on the housing (6) and the diamond dry-cutting disc (9).
- **5** After the fourth diamond dry-cutting disc place three further spacer discs, each 3 mm thick (5c), on the drive shaft (3). The drive shaft (3) must still protrude, so that the washer (2) can be centred.

### BDN 466/6

The maximum ridge-free chase width is achieved by fitting the following spacers:

- **6** Place one spacer disc, 3 mm thick (5a) and one spacer disc 2 mm thick (5b) on the drive shaft (3).
- **6** Place the first diamond dry-cutting disc (1) on the drive shaft (3).
- **7** Note the rotational direction arrow on the housing (6) and the diamond dry-cutting disc (9).
- **6** Place a spacer disc, 3 mm thick (5c), on the drive shaft (3).
- **6** Now place another diamond dry-cutting disc (1) and a spacer disc, 3 mm thick (5c) alternately on the drive shaft (3).
- **7** Note the rotational direction arrow on the housing (6) and the diamond dry-cutting disc (9).
- **6** After the sixth diamond dry-cutting disc place two spacer discs, each 2 mm thick (5d), on the drive shaft (3). The drive shaft (3) must still protrude, so that the washer (2) can be centred.

BDN 452, BDN 453, BDN 454, BDN 455,  
BDN 463/4, BDN 464/4 and BDN 466/6



#### NOTE

The hole in the washer is off-centre.

- **3** to **7** Push on the washer (2). Match the thread of the drive shaft (3) with the hole in the washer (2).



#### NOTE

The hexagonal head screw has a left-hand thread.

- **3** to **7** Use the hexagon head screw (4) to screw the washer (2) onto the drive shaft (3) (left-hand thread).
- **7** Use an open-ended spanner size SW13 (8) to tighten (10 Nm) the screw, at the same time use the hook wrench (2) to hold the washer (7).
- Check the fit of the diamond dry-cutting discs. The diamond dry-cutting discs must be fitted as described above and must be able to rotate freely.



#### NOTE

If the diamond dry-cutting discs do not fit tightly, a further 2 mm spacer disc must be fitted under the washer.



#### WARNING

Risk of injuries due to cracking and breaking of the diamond dry-cutting disc (bits of disc flying around), caused by damaged, untrue running or vibrating diamond dry-cutting discs.

- During the trial run of the machine, hold the diamond dry-cutting discs away from your body and do not touch or grip them. Damaged, untrue running or vibrating diamond dry-cutting discs must be replaced immediately.

- Carry out a trial run of at least 30 seconds without load.

## 5.2 Adjust cutting depth

BDN 452, BDN 453, BDN 454, BDN 455 and  
BDN 464/4

- **8/9** Use an open-ended spanner size SQ13 to undo the hexagon nut (1) on the protective hood (2).
- **8/9** Turn the protective hood (2) to adjust the cutting depth (3).
- **8/9** Tighten the hexagon nut (1).

BDN 463/4 and BDN 466/6

- **10/11** Release the clamping lever (1) at the protective hood (2).
- **10/11** Turn the protective hood (2) to adjust the cutting depth (3).
- **10/11** Tighten the clamping lever (1).

## 5.3 Connect dust extractor

BDN 452, BDN 453, BDN 454, BDN 455,  
BDN 463/4, BDN 464/4 and BDN 466/6

- Check the dust extractor to ensure that it is working properly.
- **12** Push the dust extractor hose (3) firmly onto the nozzle (2) of the protective hood (1).




#### NOTE

The nozzle (2) is designed to fit the suction hose (3) of a BAIER special dust extractor.

- **12** When the suction hose (3) is cold, a good deal of effort is required to push it onto the nozzle (2) of the diamond cutter.

## 5.4 Switch on the diamond cutter and cut

**BDN 452, BDN 453, BDN 454, BDN 455, BDN 463/4, BDN 464/4 and BDN 466/6**

- **13** Always hold the diamond cutter tightly with both hands on the handles (2)/(6).
- **13** Position the front roller (1) on the wall – the diamond dry-cutting discs must not touch the wall.
- **13** Switch on the diamond cutter at the switch (5) and wait until the working speed has been reached – the green LED (3) lights up.
- **13** Plunge the diamond dry-cutting discs uniformly into the wall – the green LED (3) must not go out.
- **13** As soon as the rear roller (7) touches the wall, the diamond cutter can be pushed in the direction of the planned chase.
- **1 / 13** Working direction  of the diamond cutter.



### CAUTION

The diamond dry-cutting disc can become blunt or damaged due to overheating. An overheated (blue tarnished) diamond dry-cutting disc can usually no longer be resharpened.

- The feed can only be as high as the diamond dry-cutting disc can wear away the material. Therefore, do not exert too large a force on the diamond dry-cutting discs and avoid canting. Note and follow the information and instructions on handling diamond dry-cutting discs (see page 22).

**13** If the feed is too fast, the red LED (4) lights up. Then, reduce the feed immediately until the green LED (3) lights up again.

If this warning signal is ignored, i.e. the feed is not reduced, the electronics switch off on overload.



### DANGER

Risk of injury due to uncontrolled kickback of the diamond cutter, caused by canting of the diamond cutter in the cut chase.

- Always wait for the diamond dry-cutting discs to stop completely before removing the diamond cutter from the cut chase.

The cutting process can then be started and continued as described above (see "Chap. 5.4 Switch on the diamond cutter and cut").



### NOTE

The diamond cutter also switches off if the diamond dry-cutting disc has insufficient cutting power. In this case, check whether you have chosen the correct diamond dry-cutting disc for the relevant area of use (see selection table for diamond dry-cutting discs on page 22). Note and follow the information and instructions on handling diamond dry-cutting discs (see page 22).

## 5.5 Finish cutting process

**BDN 452, BDN 453, BDN 454, BDN 455, BDN 463/4, BDN 464/4 and BDN 466/6**



### DANGER

Risk of injury due to uncontrolled kickback of the diamond cutter, caused by canting of the diamond cutter in the cut chase.

- Always wait for the diamond dry-cutting discs to stop completely before removing the diamond cutter from the cut chase.

- **13** Switch off the diamond cutter at the switch (5), wait until the diamond dry-cutting discs have completely stopped, and then remove the discs from the chase and put down the cutter.



### CAUTION

Risk of breakage of diamond dry-cutting discs!

- Never use the diamond dry-cutting discs to break out the ridge of the chase.

**BDN 452, BDN 453, BDN 454 and BDN 455**

- **14** Use a suitable tool (e.g. chisel, BAIER BMH 622 chipping hammer) to break out the ridge of the chase in the wall.

## BDN 463/4 and BDN 464/4

- **15** With a cutting width of 18 mm, a clean chase is formed without a ridge.
- **14** If the cutting width is larger than 18 mm, use a suitable tool (e.g. chisel, BAIER BMH 622 chipping hammer) to break out the ridge in the chase.

## BDN 466/6

- **15** With a cutting width of 26 mm, a clean chase is formed without a ridge.
- **14** If the cutting width is larger than 26 mm, use a suitable tool (e.g. chisel, BAIER BMH 622 chipping hammer) to break out the ridge in the chase.

## BDN 452, BDN 453, BDN 454, BDN 455, BDN 463/4, BDN 464/4 and BDN 466/6



### NOTE

Blunt diamond dry-cutting discs can be resharpened if necessary using BAIER whetstones or other suitable materials.

Note and follow the information and instructions on handling diamond dry-cutting discs (see page 22).

---

## 6 Cleaning

---



### DANGER

Risk of injury due to electric shock.

- Disconnect the mains plug before carrying out any work on the diamond channel cutter.

The machine must be cleaned after each cutting work session.

- Carefully clean the machine and blow out with compressed air.
- Ensure handles are dry and free from grease.

---

## 7 Maintenance

---



### DANGER

Risk of injury due to electric shock.

- Disconnect the mains plug before carrying out any work on the diamond channel cutter.

The diamond channel cutter must be serviced at least once a year. Further, servicing will be necessary depending on the wear of the carbon brushes. Only servicing and repair firms authorised by Maschinenfabrik OTTO BAIER GmbH may carry out maintenance of the machine. Also ensure that original BAIER spare parts and original BAIER accessories only are used.

## 8 Recommended uses for BAIER diamond dry-cutting discs

Uses	Coding colour of the diamond cutting discs				
	blue	white	silver <sup>1)</sup>	yellow	gold
Granite	x			xxx	
Concrete	xx		xxx	xxx	xx
Precast concrete blocks	xxx	x	xx	xx	xx
Sand-lime Bricks	x	xxx	xxx	x	xxx
Bricks		xxx	xxx		xxx
Poroton		xxx	xxx		xxx
Cellular concrete			xxx		xxx
Plaster			xxx		xxx

xxx optimally suitable

xx well-suited

x suitable

<sup>1)</sup> for BDN 464/4 only

## 9 Handling diamond dry-cutting discs

- Diamond dry-cutting discs must be stored, handled and fitted carefully in accordance with the manufacturer's instructions.
- Too soft diamond segments:
  - ▶ Diamond dry-cutting discs wear too quickly at very high removal rate.  
**Remedy:** The material to be machined requires diamond dry-cutting discs with a harder bond.
- Too hard diamond segments:
  - ▶ The diamond grains become blunt and do not break out of the bond. The diamond dry-cutting discs no longer have any cutting power.  
**Remedy:** The material to be machined requires diamond dry-cutting discs with a softer bond.
- In the event of loss in cutting power (recognisable by intensity of flying sparks) sharpen the diamond dry-cutting discs by making several cuts in abrasive material, e.g. sandstone or with the BAIER professional whetstone (ID No. 15453).

- Work without applying pressure – the weight of the machine is sufficient. Increased pressure causes increased wear.
- Excessive cutting pressure can cause material fatigue in the base metal and therefore the formation of cracks. Before use, ensure that there are no cracks in the diamond dry-cutting disc.
- Diamond dry-cutting discs are designed for **straight** cuts. If used to cut curves the blade becomes deformed, causing internal cracks and segments to break off (see "Chap. 3.5 Intended use") – **Risk of injury!**
- The diamond cutter should plunge into the wall only after the working speed has been reached – green LED (3) lights up.
- After approx. 2 minutes of cutting time the machine should be run with no load for 10 seconds, so that the diamond dry-cutting discs can cool.

## 10 Tools and Accessories

- BAIER diamond dry-cutting discs for all kinds of different areas of use (see "Chap. 8 Recommended uses for BAIER diamond dry-cutting discs").
- BAIER BMH 622 chipping hammer
- BAIER special dust extractor
- Professional whetstone (ID. No. 15453)

## 11 Disposal



Recycle the machine and its packaging in an environmentally friendly way in accordance with the provisions applicable in your country.

## 12 Scope of Supply

Please refer to the enclosed delivery note for the individual scope of supply of a customer-specific order.

Please refer to the table below for the scope of supply of basic models. Please contact your dealer if parts are missing or damaged.

Diamond channel cutter type Basic selection	ID. No.	Diamond dry-cutting discs, type				
		blue	white	silver	yellow	gold
BDN 452	7430					
	6937		x (2)			
BDN 453	35139					
	51185					x (2)
	58297	x (2)				x (2)
BDN 454	64816					
	47571		x (2)			
	64832	x (2)				
BDN 455	8373	x (2)				
BDN 463/4	72231					
	73254					x (2)
	75176					x (4)
BDN 464/4	6414					
	6446			x (4)		
BDN 466/6	6952					x (6)
	7102					x (12)

x included in scope of supply  
( ) Number of diamond dry-cutting discs supplied

## 13 Warranty

The power tools placed on the market and distributed by Maschinenfabrik OTTO BAIER GmbH take into account the regulations of the laws concerning engineering tools and equipment to protect against risks to health and safety.

We guarantee the perfect quality of our products and accept the costs of subsequent repairs by replacing the damaged parts or replacement with a new tool in case of design, material and/or manufacturing errors within the warranty period. The warranty period for commercial use is 12 months.

The following are prerequisite for a warranty claim due to design, material and/or manufacturing errors:

### 1. Proof of purchase and compliance with the instruction manual

A mechanically produced original copy of a purchase voucher must always be submitted in order to make a warranty claim. It must contain the complete address, date of purchase and type designation of the product.

The instruction manual for the respective machine and the safety instructions must have been complied with.

Damage due to faulty operation cannot be recognised as a warranty claim.

### 2. Correct deployment of the machine

Maschinenfabrik OTTO BAIER GmbH's products are developed and produced for specific purposes.

A warranty claim cannot be acknowledged in the event of failure to comply with the intended use in accordance with the instruction manual, misuse or use for another purpose or use of unsuitable accessories. The warranty does not apply if the machine is deployed in continuous and piece-work operation or for rental and hire purposes.

### 3. Compliance with servicing intervals

Regular servicing by us or a servicing and repair firm authorised by us is prerequisite for warranty claims. Servicing is specified for when the carbon brushes are worn, however at least once a year.

The machine must be cleaned in accordance with the provisions of the instruction manual. All warranty entitlements expire in case of intervention/tampering with the machine by third parties (opening the machine).

Servicing and cleaning work are not generally covered by the warranty.

### 4. Use of original BAIER spare parts

Ensure that original BAIER spare parts and BAIER accessories only are used. They are available from authorised dealers. The type and quantity of grease are to be used according to the valid grease list. Use of non-original parts can cause consequential damage to the machine and an increased risk of accidents. Dismantled, partly dismantled machines and machines repaired with third party spare parts are excluded from the warranty.

### 5. Wearing parts

Certain components are subject to use-induced wear or normal wear and tear caused by use of the respective power tool. These components include, among other things, carbon brushes, ball bearings, switches, power cords, seals, shaft sealing rings. Wearing parts are not covered by the warranty.



## Stopka

Wersja: V02/2018-09  
Copyright:

Maschinenfabrik  
OTTO BAIER GmbH  
Heckenwiesen 26  
71679 Asperg  
Niemcy

Przekazywanie oraz powielanie niniejszego dokumentu, wykorzystanie oraz informowanie o jego treści są zabronione bez wyraźnej zgody. Naruszenia powyższego zapisu zobowiązują do odszkodowania. Wszelkie prawa na wypadek uzyskania patentu lub rejestracji wzoru użytkowego zastrzeżone.

Niniejsza instrukcja obsługi została starannie opracowana. Jednak firma **OTTO BAIER GmbH** nie przejmuje żadnej odpowiedzialności za ewentualne pomyłki w niniejszej instrukcji lub ich skutki. Jednocześnie nie ponosimy odpowiedzialności za szkody bezpośrednie lub pośrednie, których przyczyną jest nieprawidłowe użytkowanie urządzenia.

Korzystając z urządzenia, należy przestrzegać wszystkich przepisów bezpieczeństwa oraz przepisów w sprawie ochrony pracy obowiązujących w danym kraju oraz wytycznych z niniejszej instrukcji obsługi.

Wszystkie stosowane nazwy produktów oraz nazwy marek są własnością ich właścicieli i nie zostały jasno określone jako takie.

Zastrzega się możliwość zmian merytorycznych.

## Spis treści


<b>1</b>	<b>Informacje na temat niniejszej instrukcji obsługi</b> .....	26
1.1	Ważne informacje .....	26
1.2	Symbole stosowane w instrukcji obsługi .....	26
<b>2</b>	<b>Zasady bezpieczeństwa</b> .....	26
2.1	Bezpieczeństwo na stanowisku pracy ...	26
2.2	Bezpieczeństwo elektryczne .....	27
2.3	Bezpieczeństwo osób .....	27
2.4	Zastosowanie i obsługa elektronarzędzia .....	27
2.5	Serwisowanie .....	28
2.6	Zasady bezpieczeństwa typowe dla maszyny .....	28
2.6.1	Wymagania względem personelu obsługi .....	28
2.6.2	Bezpieczeństwo na stanowisku pracy ...	28
2.6.3	Bezpieczeństwo elektryczne .....	29
2.6.4	Bezpieczeństwo osób .....	29
2.6.5	Zagrożenia przy zastosowaniu i obsłudze elektronarzędzia .....	30
2.6.6	Serwisowanie / konserwacja / naprawa .....	32
2.6.7	Objaśnienie piktogramów na bruzdownicy diamentowej .....	32
<b>3</b>	<b>Cechy techniczne</b> .....	33
3.1	Dane techniczne .....	33
3.2	Deklaracja zgodności UE .....	34
3.3	Własności maszyny .....	34
3.4	Części maszyny i elementy obsługowe ..	34
3.5	Zastosowanie zgodne z przeznaczeniem .....	35
<b>4</b>	<b>Przed przystąpieniem do pracy</b> .....	35
<b>5</b>	<b>Eksploatacja i obsługa</b> .....	35
5.1	Montaż i wymiana tarcz diamentowych do cięcia na sucho .....	35
5.2	Ustawianie głębokości cięcia .....	37
5.3	Podłączanie odsysacza pyłu .....	37
5.4	Włączanie bruzdownicy diamentowej i frezowanie .....	38
5.5	Zakończenie frezowania .....	38
<b>6</b>	<b>Czyszczenie</b> .....	39
<b>7</b>	<b>Konserwacja</b> .....	39
<b>8</b>	<b>Zalecane zastosowania tarcz diamentowych do cięcia na sucho BAIER</b> .....	40
<b>9</b>	<b>Obchodzenie się z tarczami diamentowymi do cięcia na sucho</b> ....	40
<b>10</b>	<b>Narzędzia i osprzęt</b> .....	40
<b>11</b>	<b>Utylizacja</b> .....	40
<b>12</b>	<b>Zakres dostawy</b> .....	41
<b>13</b>	<b>Gwarancja</b> .....	42

## 1 Informacje na temat niniejszej instrukcji obsługi

Niniejsza instrukcja obsługi zawiera wszystkie ważne informacje na temat bezpiecznego korzystania z bruzdownic diamentowych.

W tej instrukcji bruzdownica diamentowa nazywana jest również „urządzeniem” lub „maszyną”.

### Odsyłacze do rysunków

Odsyłacze do rysunków znajdujących się na początku instrukcji obsługi w tekście oznaczone są takim symbolem  (w tym przykładzie odsyłacz odnosi się do rysunku numer 1).

### 1.1 Ważne informacje



#### Lektura instrukcji obsługi

Przed przystąpieniem do jakichkolwiek prac przy urządzeniu i z wykorzystaniem urządzenia dokładnie zapoznać się z instrukcją obsługi oraz zasadami bezpieczeństwa oraz ostrzeżeniami i przestrzegać ich.

**Niniejszą instrukcję obsługi przechowywać zawsze przy urządzeniu.**



**Konieczne jest noszenie atestowanej maski filtracyjnej usta-nos!**

### 1.2 Symbole stosowane w instrukcji obsługi



#### NIEBEZPIECZEŃSTWO

„NIEBEZPIECZEŃSTWO” wskazuje na zagrożenie, którego skutkiem może być bezpośrednia śmierć lub poważne obrażenia ciała.

→ Ta strzałka wskazuje na działania pozwalające na zapobiegnięciu grożącemu niebezpieczeństwu.



#### OSTRZEŻENIE

„OSTRZEŻENIE” wskazuje na zagrożenie, którego potencjalnym skutkiem może być śmierć lub poważne obrażenia ciała.

→ Ta strzałka wskazuje na działania pozwalające na uniknięcie zagrożenia.



#### OSTROŻNIE

Hasło „OSTROŻNIE” wskazuje na zagrożenie, którego skutkiem mogą być lekkie lub średnio ciężkie obrażenia ciała albo szkody materialne.

→ Ta strzałka wskazuje na działania pozwalające na uniknięcie zagrożenia.



#### WSKAZÓWKA

„WSKAZÓWKA” zawiera zalecenia użytkownika oraz przydatne porady.

## 2 Zasady bezpieczeństwa



#### OSTRZEŻENIE

Zapoznać się ze wszystkimi zasadami bezpieczeństwa i instrukcjami.

Nieprzestrzeganie zasad bezpieczeństwa i instrukcji może doprowadzić do poważnych obrażeń ciała.

**Przechować wszystkie zasady bezpieczeństwa i instrukcje do wykorzystania w przyszłości.**

Stosowane w zasadach bezpieczeństwa pojęcie „elektronarzędzia” odnosi się do elektronarzędzi zasilanych z sieci (z kablem sieciowym) i do elektronarzędzi zasilanych z akumulatora (bez kabla sieciowego).

### 2.1 Bezpieczeństwo na stanowisku pracy

- a) **W obszarze roboczym należy utrzymywać porządek i zapewnić właściwe oświetlenie.**  
*Nieporządek lub brak oświetlenia w obszarach roboczych mogą prowadzić do wypadków.*
- b) **Nie korzystać z elektronarzędzia w otoczeniu zagrożonym wybuchem, w którym występują palne ciecze, gazy lub pyły.**  
*Elektronarzędzia wytwarzają iskry, które mogą spowodować zapłon pyłu lub oparów.*
- c) **W trakcie korzystania z urządzenia dzieci i inne osoby muszą pozostać z dala od miejsca pracy.**  
*Odwrócenie uwagi grozi utratą kontroli nad urządzeniem.*

---

## 2.2 Bezpieczeństwo elektryczne

---

- a) **Wtyczka przyłączeniowa elektronarzędzia musi pasować do gniazda wtykowego. Wtyczki nie wolno w żaden sposób modyfikować. Nie stosować przejściówek w połączeniu z elektronarzędziami z uziemieniem.**  
*Nienaruszone wtyczki oraz odpowiednie gniazda wtykowe zmniejszają ryzyko porażenia prądem elektrycznym.*
- b) **Unikać kontaktu ciała z uziemionymi powierzchniami, np. rurami, ogrzewaniem, kuchenkami i chłodziarkami.**  
*Przy uziemionym ciele zachodzi podwyższone ryzyko porażenia prądem elektrycznym.*
- c) **Chronić elektronarzędzia przed deszczem i wilgocią.**  
*Wniknięcie wody w elektronarzędzie zwiększa ryzyko porażenia prądem elektrycznym.*
- d) **Nie wykorzystywać kabla do noszenia, zawieszania elektronarzędzia i odłączania wtyczki od gniazda wtykowego. Kabel trzymać z dala od źródeł ciepła, oleju, ostrych krawędzi lub ruchomych części urządzenia.**  
*Uszkodzone lub splecione kable zwiększają ryzyko porażenia prądem elektrycznym.*
- e) **Podczas prac z wykorzystaniem elektronarzędzia na wolnym powietrzu stosować wyłącznie przedłużacz przeznaczony do zastosowania na zewnątrz.**  
*Stosowanie przedłużacza przeznaczonego do zastosowania na zewnątrz budynków zmniejsza ryzyko porażenia prądem elektrycznym.*
- f) **Jeśli nie można uniknąć korzystania z elektronarzędzia w wilgotnym otoczeniu, należy zastosować wyłącznik różnicowoprądowy.**  
*Stosowanie wyłącznika różnicowoprądowego (wyłącznik FI o maksymalnym prądzie zadziałania 10 mA) zmniejsza ryzyko porażenia prądem elektrycznym.*
- b) **Nosić sprzęt ochrony osobistej i zawsze okulary ochronne.**  
*Noszenie sprzętu ochrony osobistej, takiego jak maska przeciwpyłowa, antypoślizgowe obuwie ochronne, kask ochronny lub środki ochrony słuchu, w zależności od typu i zastosowania elektronarzędzia, pozwala zmniejszyć ryzyko odniesienia obrażeń ciała.*
- c) **Unikać przypadkowego uruchomienia. Upewnić się, że elektronarzędzie jest wyłączone przed podłączeniem go do źródła zasilania i / lub do akumulatora, chwyceniem lub przeniesieniem.**  
*Trzymanie palca na wyłączniku podczas przenoszenia elektronarzędzia lub podłączenie włączonego urządzenia do źródła zasilania mogą doprowadzić do wypadków.*
- d) **Przed włączeniem elektronarzędzia usunąć przyrządy nastawcze lub klucz do śrub.**  
*Przyrząd lub klucz znajdujący się w obracającej się części urządzenia może doprowadzić do obrażeń ciała.*
- e) **Nie przyjmować nietypowych pozycji ciała. Zadbać o stabilność i przez cały czas utrzymywać równowagę.**  
*W ten sposób można lepiej kontrolować elektronarzędzie w nieoczekiwanych sytuacjach.*
- f) **Nosić odpowiednią odzież. Nie nosić szerokiej odzieży lub biżuterii. Zachować bezpieczną odległość włosów, odzieży i rękawic od poruszających się części.**  
*Luźna odzież, biżuteria lub długie włosy mogą zostać wciągnięte przez poruszające się części.*
- g) **Jeśli istnieje możliwość zamontowania urządzeń odsysających lub wychwytyjących pył, upewnić się, że zostały one podłączone i są prawidłowo stosowane.**  
*Zastosowanie odsysacza pyłu może zmniejszyć ryzyko spowodowane występowaniem pyłu.*
- h) **Nie polegać na błędnym poczuciu bezpieczeństwa i nie lekceważyć zasad bezpieczeństwa dotyczących elektronarzędzi, nawet jeśli po wielokrotnym użyciu elektronarzędzia sposób korzystania z elektronarzędzia jest znany.**  
*Nieuważne postępowanie w ułamku sekundy może doprowadzić do poważnych obrażeń ciała.*

---

## 2.3 Bezpieczeństwo osób

---

- a) **Zachować ostrożność, kontrolować wykonywane czynności i zachować rozsądek podczas prac z elektronarzędziem. Nie korzystać z elektronarzędzia w przypadku zmęczenia lub pod wpływem środków odurzających, alkoholu lub leków.**  
*Chwila nieuwagi podczas korzystania z elektronarzędzia może doprowadzić do poważnych obrażeń ciała.*

---

## 2.4 Zastosowanie i obsługa elektronarzędzia

---

- a) **Nie przeciążać urządzenia. Do danej pracy wykorzystywać tylko przeznaczone do tego celu elektronarzędzie.**  
*Odpowiednie narzędzie umożliwia sprawniejszą i bezpieczniejszą pracę w podanym zakresie mocy.*

- b) Nie korzystać z elektronarzędzia z uszkodzonym wyłącznikiem.  
*Elektronarzędzie, którego nie można włączyć lub wyłączyć, stanowi zagrożenie i musi zostać naprawione.*
- c) Przed przystąpieniem do nastawiania urządzenia, wymiany osprzętu lub przed odłożeniem urządzenia odłączyć wtyczkę od gniazda wtykowego i / lub wyjąć akumulator.  
*Ten środek ostrożności zapobiega przypadkowemu uruchomieniu elektronarzędzia.*
- d) Nieużywane elektronarzędzia należy przechowywać w miejscu niedostępnym dla dzieci. Z urządzenia nie mogą korzystać osoby, które nie są z nim obeznane lub nie przeczytały niniejszych instrukcji.  
*Elektronarzędzia stanowią zagrożenie, jeśli są wykorzystywane przez niedoświadczonych osoby.*
- e) Starannie dbać o elektronarzędzia. Kontrolować, czy ruchome części są sprawne i nie blokują się, czy części nie są pęknięte lub uszkodzone, co miałyby negatywny wpływ na sprawność elektronarzędzia. Przed przystąpieniem do korzystania z urządzenia zlecić wymianę uszkodzonych części.  
*Przyczyną wielu wypadków jest niewłaściwa konserwacja elektronarzędzi.*
- f) Narzędzia tnące muszą być ostre i czyste.  
*Prawidłowo konserwowane narzędzia tnące z ostrymi krawędziami tnącymi rzadziej się zakleszczają i łatwiej je prowadzić.*
- g) Elektronarzędzie, osprzęt, narzędzia robocze itd. wykorzystywać zgodnie z niniejszymi instrukcjami. Uwzględnić przy tym warunki robocze i wykonywaną czynność.  
*Użycie elektronarzędzi do innych celów niż zostały one przewidziane może doprowadzić do powstania niebezpiecznych sytuacji.*
- h) Utrzymywać chwyt i powierzchnie chwytowe w suchym, czystym i odtłuszczonej formie.  
*Śliskie chwyt i powierzchnie chwytowe nie zapewniają niezawodnej obsługi i kontroli nad elektronarzędziem w nieprzewidzianych sytuacjach.*

---

## 2.5 Serwisowanie

---

- a) Elektronarzędzia mogą być naprawiane wyłącznie przez wykwalifikowany personel specjalistyczny i tylko przy użyciu oryginalnych części zamiennych.  
*Będzie to stanowiło gwarancję zachowania bezpieczeństwa eksploatacji elektronarzędzia.*

---

## 2.6 Zasady bezpieczeństwa typowe dla maszyny

---

### 2.6.1 Wymagania względem personelu obsługi

---

- Maszyny nie mogą obsługiwać osoby, które nie ukończyły 16 roku życia.
- Personel obsługi musi znać treść niniejszej instrukcji obsługi.

---

### 2.6.2 Bezpieczeństwo na stanowisku pracy

---

- Przed wykonywaniem wgłębień w ścianach nośnych należy zasięgnąć porady odpowiedzialnego statyka, architekta lub właściwego kierownika budowy.
- Zabezpieczyć obszar roboczy również za przepustami.  
*Niezabezpieczone obszary robocze mogą stwarzać zagrożenie dla innych osób.*
- Zwracać uwagę na otwarte i zakryte przewody elektryczne, wodne i gazowe. W celu wykrycia ukrytych przewodów zasilających stosować właściwe urządzenia detekcyjne lub zasięgnąć opinii lokalnego dostawcy mediów.  
*Kontakt z przewodami elektrycznymi może doprowadzić do wybuchu pożaru i porażenia prądem elektrycznym. Uszkodzenie przewodu gazowego może doprowadzić do wybuchu. Przeniknięcie w przewód wodny prowadzi do szkód materialnych i może spowodować porażenie prądem elektrycznym.*
- Nie korzystać z elektronarzędzia w pobliżu palnych materiałów.  
*Iskry mogą spowodować zapłon tych materiałów.*
- Unikać rozkładania kabli w miejscach, w których inne osoby mogłyby się potknąć.  
*Potknięcia o kable mogą doprowadzić do poważnych obrażeń ciała.*
- Zabezpieczyć obrabiany przedmiot.  
*Obrabiany przedmiot zamocowany w przyrządzie mocującym lub imadle jest bezpieczniejszy przytrzymywany niż w dłoni.*
- Unikać gromadzenia się pyłu na stanowisku roboczym.  
*Pył może z łatwością się zapalić.*
- W zamkniętych pomieszczeniach zapewnić wystarczającą wentylację.  
*Zagrożenie wskutek zapylenia i pogorszenia widoczności.*

- Pyły z materiałów, takich jak farby z zawartością ołowiu, niektóre gatunki drewna lub metale, mogą być szkodliwe dla zdrowia i być przyczyną reakcji alergicznych, chorób dróg oddechowych i / lub nowotworów złośliwych.

*Materiały zawierające azbest mogą być obrabiane wyłącznie przez specjalistów.*

- ▶ Stosować w miarę możliwości odsysacz pyłu odpowiedni dla danego materiału (np. odpylacz specjalny firmy BAIER).
- ▶ Zapewnić właściwą wentylację stanowiska roboczego.
- ▶ Zaleca się noszenie maski oddechowej z filtrem klasy P2 lub P3 (wg DIN EN 149:2001).

*Przestrzegać przepisów obowiązujących w kraju użytkowania dotyczących obrabianych materiałów.*

### 2.6.3 Bezpieczeństwo elektryczne

- **Przed każdym użyciem skontrolować elektronarzędzie, przewód przyłączeniowy i wtyczkę pod kątem uszkodzeń.**  
*Uszkodzone urządzenie stwarza zagrożenie i nie jest bezpieczne w eksploatacji.*
- **Zwrócić uwagę na napięcie sieciowe!** Napięcie źródła prądu musi być zgodne z danymi z tabliczki znamionowej elektronarzędzia.
- **W przypadku korzystania z elektronarzędzia podłączonego do przenośnych wytwornic prądu (generatorów) może dochodzić do spadku mocy lub nietypowych reakcji podczas włączania.**
- **Nie używać elektronarzędzia z uszkodzonym kablem. Nie dotykać uszkodzonego kabla i odłączyć wtyczkę sieciową, jeśli kabel zostanie uszkodzony podczas pracy.**  
*Uszkodzone kable zwiększają ryzyko porażenia prądem elektrycznym.*
- **Stosować wyłącznie przedłużacze przystosowane do poboru mocy maszyny o przekroju minimalnym wynoszącym 1,5 mm<sup>2</sup>.** Przy zastosowaniu bębna kablowego zwracać uwagę, aby kabel był całkowicie odwinięty. Nawinięty kabel może się bardzo nagrzać i zacząć się palić.
- **Regularnie czyścić szczeliny wentylacyjne elektronarzędzia na sucho przez przedmuchiwanie. Pod żadnym pozorem nie wkładać wkrętaków ani innych przedmiotów w szczeliny wentylacyjne. Nie zakrywać szczelin wentylacyjnych.**  
*Dmuchawa silnika zasysa pył do obudowy a duża ilość nagromadzonego pyłu metalowego stwarza zagrożenie elektryczne.*

- **Elektronarzędzie może automatycznie się wyłączać wskutek zewnętrznych zakłóceń elektromagnetycznych (np. wahań napięcia sieciowego, wyładowań elektrostatycznych).** *W takim przypadku elektronarzędzie należy wyłączyć i ponownie włączyć.*
- **Nie stosować elektronarzędzi wymagających ciekłego chłodziwa.** *Stosowanie wody lub innych ciekłych chłodziw może doprowadzić do porażenia prądem elektrycznym.*

### 2.6.4 Bezpieczeństwo osób

- **Nosić sprzęt ochrony osobistej oraz w zależności od warunków pracy stosować:**



**pełną ochronę twarzy, ochronę oczu lub okulary ochronne, kask ochronny i fartuch specjalny.**

*Zabezpieczyć się przed odrzucanymi elementami za pomocą kasku ochronnego, okularów ochronnych i maski na twarz oraz w razie konieczności za pomocą fartucha.*



**Ochrona słuchu**

*Typowy poziom hałasu z oceną A niniejszego elektronarzędzia podczas pracy wynosi ponad 85 dB (A). Długa ekspozycja na głośny hałas grozi uszkodzeniem bądź utratą słuchu.*



**Ochronne rękawice antywibracyjne**

*Przy wartości włączeniowej A (8) dla wstrząsów przenoszonych na ramię i dłoni przekraczających 2,5 m/s<sup>2</sup> zaleca się noszenie ochronnych rękawic antywibracyjnych.*



**Antypoślizgowe obuwie ochronne**



**Maska przeciwpyłowa, maska filtracyjna na usta i nos lub maska oddechowa**

*Wdychanie drobnych pyłów mineralnych stwarza zagrożenie dla zdrowia. Zaleca się noszenie maski oddechowej z filtrem klasy P2 lub P3 (wg DIN EN 149:2001). Prace z tarczami diamentowymi do cięcia na sucho są procesem szlifowania, w którym powstają najdrobniejsze pyły. Podczas bruzdowania materiałów zawierających kwarc istnieje bardzo duże ryzyko wystąpienia krzemicy, dlatego maszynę należy koniecznie eksploatować wyłącznie w połączeniu z odpowiednim odsysaczem pyłu (np. odpylacz specjalny firmy BAIER).*

- **Zwrócić uwagę, aby inne osoby zachowały bezpieczny odstęp od obszaru roboczego. Każda osoba wchodząca do obszaru roboczego musi nosić sprzęt ochrony osobistej.**  
*Fragmety obrabianego przedmiotu lub złamane narzędzia robocze mogą zostać odrzucone i spowodować obrażenia u osób również poza bezpośrednim obszarem roboczym.*
- **Podczas prac, przy których narzędzie robocze może natrafić na ukryte przewody elektryczne lub własny kabel sieciowy, urządzenie trzymać wyłącznie za izolowane powierzchnie chwytowe.**  
*Kontakt z przewodem przewodzącym prąd elektryczny może spowodować, że metalowe elementy urządzenia również znajdują się pod napięciem, co z kolei doprowadzi do porażenia prądem elektrycznym.*
- **Kabel sieciowy trzymać z daleka od obracających się narzędzi roboczych.**  
*W razie utraty kontroli nad urządzeniem kabel sieciowy może zostać przecięty lub pochwycony wskutek czego dłoń lub ręka operatora może dostać się w wirujące narzędzie robocze.*
- **Nigdy nie odkładać elektronarzędzia, zanim narzędzie robocze całkowicie się nie zatrzyma.**  
*Wirujące narzędzie robocze może wejść w kontakt z podłożem, czego skutkiem będzie utrata kontroli nad elektronarzędziem.*
- **Podczas przenoszenia elektronarzędzie nie może być włączone.**  
*Przez przypadkowy kontakt z wirującym narzędziem roboczym odzież operatora może zostać pochwycona, doprowadzając do obrażeń wskutek wibacja się narzędzia w ciało.*
- **Nie kierować narzędzi roboczych przy włączonej maszynie na własne lub obce części ciała i nie dotykać narzędzi.**
- **Tarcze diamentowe do cięcia na sucho mogą być stosowane wyłącznie w zalecanych obszarach zastosowań. Na przykład – pod żadnym pozorem nie szlifować boczną powierzchnią tarczy diamentowej do cięcia na sucho.**  
*Tarcze diamentowe do cięcia na sucho są przeznaczone do usuwania materiału krawędzią tarczy. Oddziaływanie sił po bokach tych ściernic może doprowadzić do ich pęknięcia.*
- **Wymianę narzędzi przeprowadzać starannie i tylko przy użyciu przewidzianych do tego celu, sprawnych narzędzi montażowych. Przed przystąpieniem do wymiany narzędzia wyjąć wtyczkę sieciową z gniazda.**  
*Przewidziane narzędzie montażowe pozwala uniknąć uszkodzeń elektronarzędzia i narzędzia roboczego.*
- **Zawsze stosować nieuszkodzone materiały montażowe o odpowiedniej wielkości dla dobrej trzczy diamentowej do cięcia na sucho.**  
*Tarcza diamentowa do cięcia na sucho ma właściwe podparcie w odpowiednich materiałach montażowych, dlatego ryzyko jej pęknięcia ulega zmniejszeniu.*
- **Średnica zewnętrzna oraz grubość narzędzia roboczego muszą odpowiadać danym wymiarowym elektronarzędzia.**  
*Narzędzia robocze o nieodpowiednich wymiarach mogą nie być dostatecznie osłaniane ani kontrolowane.*
- **Tarcze diamentowe do cięcia na sucho, materiały montażowe (kołnierze) lub inny osprzęt muszą być dokładnie dopasowane do wrzeciona elektronarzędzia.**  
*Narzędzia robocze, które nie są dokładnie dopasowane do wrzeciona elektronarzędzia, obracają się nierównomiernie, wibrują w znacznym stopniu i mogą prowadzić do utraty kontroli.*
- **Nie używać uszkodzonych narzędzi roboczych. Przed każdym użyciem skontrolować narzędzia robocze pod kątem odprysków i pęknięć. Jeśli elektronarzędzie lub narzędzie robocze spadnie z wysokości, sprawdzić, czy nie uległo ono uszkodzeniu lub zastosować nieuszkodzone narzędzie robocze. Po skontrolovaniu i założeniu narzędzia roboczego ustawić się oraz inne osoby znajdujące się w pobliżu poza płaszczyznę wirującego narzędzia roboczego, włączyć elektronarzędzie i pozostawić włączone przez jedną minutę z maksymalną liczbą obrotów.**  
*Większość uszkodzonych narzędzi roboczych pęka w tym czasie testu.*

## 2.6.5 Zagrożenia przy zastosowaniu i obsłudze elektronarzędzia

- **Elektronarzędzie może współpracować wyłącznie z tarczami diamentowymi do cięcia na sucho.**  
*Sama możliwość zamocowania sprzętu na posiadanym elektronarzędziu nie gwarantuje bezpiecznego użytkowania.*
- **Dopuszczalna liczba obrotów narzędzia roboczego musi przynajmniej odpowiadać maksymalnej liczbie obrotów podanej na elektronarzędziu.**  
*Osprzęt obracający się z wyższą liczbą obrotów niż dopuszczalna może pęknąć i zostać odrzucony od urządzenia.*

- Po zamontowaniu tarcz diamentowych do cięcia na sucho przed włączeniem sprawdzić, czy tarcze diamentowe do cięcia na sucho są prawidłowo zamontowane i mogą się swobodnie obracać. Upewnić się, że tarcze diamentowe do cięcia na sucho nie ocierają o osłonę ochronną ani inne elementy.
- Nie wystawiać elektronarzędzi na działanie skrajnie wysokich i skrajnie niskich temperatur.  
*W warunkach skrajnego ciepła i / lub zimna mogą wystąpić szkody mechaniczne i elektryczne.*
- Po użyciu pozostawić narzędzia robocze, uchwyty narzędziowe i inne części w celu ich schłodzenia w bezpośredniej bliskości obszaru roboczego.  
*Urządzenia mogą być bardzo gorące po użyciu; nie dotykać ani nie chwycić części, w przeciwnym razie istnieje ryzyko odniesienia obrażeń.*
- Dodatkowych tabliczek lub innych części nieokreślonych przez firmę BAIER nie wolno montować na obudowie silnika, rękojeści, przekładni i obudowy ochronnej ani do nich przymocowywać przy użyciu nitów.  
*Mogłoby to doprowadzić do uszkodzenia elektronarzędzia i usterek w działaniu.*
- Unikać zbędnego hałasu.
- Przestrzegać zasad bezpieczeństwa i pracy odnoszących się do stosowanego osprzętu.

#### Odrzut i odpowiednie zasady bezpieczeństwa

Odrzut to nagle reakcja wskutek zaczepienia lub zablokowania wirującego narzędzia roboczego, takiego jak tarcza diamentowa do cięcia na sucho. Zaczepienie lub zablokowanie powoduje gwałtowne zatrzymanie się wirującego narzędzia roboczego. Wskutek tego ruch niekontrolowanego elektronarzędzia ulega przyspieszeniu przeciwnie do kierunku obrotów narzędzia roboczego w miejscu blokady.

Jeśli na przykład tarcza diamentowa do cięcia na sucho jest zakleszczona lub zablokowana w obrabianym przedmiocie, krawędź tarczy diamentowej do cięcia na sucho zagłębiona w obrabianym przedmiocie może się wplątać i spowodować wyłamanie lub odrzucenie tarczy diamentowej do cięcia na sucho. Tarcza diamentowa do cięcia na sucho porusza się wówczas w kierunku operatora lub w przeciwnym kierunku – w zależności od kierunku obrotu tarczy w miejscu blokady. W takich warunkach tarcze diamentowe do cięcia na sucho mogą również pęknąć.

Odrzut jest następstwem błędnego lub niewłaściwego użycia elektronarzędzia. Można temu zapobiec, zachowując niżej opisane środki ostrożności.

- Podczas włączania i pracy stabilnie przytrzymać urządzenie za obie rękojeści i ustawić ciało oraz ramiona w położeniu, w którym można opanować siły odrzutu bądź momenty odwodzące przy rozruchu. Maszynę opierać zawsze mocno na obu rolkach.  
*Operator może opanować szarpnięcia i zjawisko odrzutu poprzez zachowanie odpowiednich środków ostrożności.*
- Unikać blokowania się tarczy diamentowej do cięcia na sucho wskutek nadmiernego docisku bądź zbyt szybkiego posuwu. Nie wykonywać cięcia na nadmiernej głębokości.  
*Przeciążenie tarczy diamentowej do cięcia na sucho powoduje wzrost jej naprężeń i podatność na przekrzywienie się lub blokowanie, a w konsekwencji wzrost ryzyka odrzutu bądź pęknięcia ściernicy.*
- Pod żadnym pozorem nie zbliżać rąk do wirujących narzędzi roboczych.  
*Narzędzie robocze może prześlizgnąć się po ręce podczas odrzutu.*
- Trzymać się z dala od strefy zasięgu, w której porusza się elektronarzędzie podczas odrzutu.  
*Wskutek odrzutu elektronarzędzie przemieszcza się w kierunku przeciwnym do ruchu tarczy diamentowej do cięcia na sucho w miejscu zablokowania.*
- Zachować szczególną ostrożność podczas prac w okolicy narożników i ostrych krawędzi itd. Zapobiegać odbiciu narzędzi roboczych od obrabianego przedmiotu i zakleszczeniu.  
*Wirujące narzędzie robocze ma tendencję do zakleszczania się przy narożnikach lub ostrych krawędziach lub w przypadku odbicia. Prowadzi to do utraty kontroli lub odrzutu.*
- Nie stosować żadnych tarcz łańcuchowych ani zębatych oraz żadnych segmentowych tarcz diamentowych do cięcia na sucho ze szczelinami o szerokości przekraczającej 10 mm.  
*Narzędzia robocze tego typu często powodują odrzut lub utratę kontroli nad elektronarzędziem.*
- W razie zakleszczenia tarczy diamentowej do cięcia na sucho lub przed przerwą w pracy wyłączyć urządzenie i spokojnie przytrzymać je do chwili zatrzymania tarczy. Nie próbować wyciągać pracującej jeszcze tarczy diamentowej do cięcia na sucho ze szczeliny cięcia, ponieważ może to doprowadzić do odrzutu.  
*Ustalić i usunąć przyczynę zakleszczenia.*

- **Nie włączać ponownie elektronarzędzia, jeśli nadal zagłębione jest w obrabianym przedmiocie. Przed ostrożnym kontynuowaniem cięcia odczekać, aż tarcza diamentowa do cięcia na sucho osiągnie pełną liczbę obrotów.**  
*W przeciwnym razie tarcza może się zaczepić, wyskoczyć z obrabianego przedmiotu lub spowodować odrzut.*
- **Płyty lub duże przedmioty należy podeprzeć, aby zmniejszyć ryzyko odrzutu spowodowanego przez zakleszczoną tarczę diamentową do cięcia na sucho.**  
*Duże przedmioty mogą się ugiąć pod ciężarem własnym. Obrabiany przedmiot należy podeprzeć z obydwu stron, zarówno w pobliżu linii cięcia, jak również przy krawędzi.*
- **Zachować szczególną ostrożność przy wycinaniu otworów w istniejących ścianach lub operowaniu w innych niewidocznych obszarach.**  
*Wgłębiająca się w materiał tarcza diamentowa do cięcia na sucho może spowodować odrzut narzędzia po natrafieniu na przewody gazowe, wodociągowe, przewody elektryczne lub inne przedmioty.*

## 2.6.6 Serwisowanie/konserwacja/naprawa

- **Po upadku z wysokości lub wniknięciu wilgoci oddać elektronarzędzie do kontroli.**  
*Potencjalnie uszkodzone elektronarzędzie stwarza zagrożenie i nie jest bezpieczne w eksploatacji. Przed dalszym użytkowaniem zlecić kontrolę elektronarzędzia w naszym punkcie serwisowym lub w autoryzowanym serwisie firmy Maschinenfabrik OTTO BAIER GmbH.*
- **Naprawy i prace konserwacyjne mogą być przeprowadzane wyłącznie przez autoryzowany serwis firmy Maschinenfabrik OTTO BAIER GmbH.**  
*W przeciwnym razie wygasają wszelkie prawa z tytułu odpowiedzialności i gwarancji udzielone przez Maschinenfabrik OTTO BAIER GmbH.*



### WSKAZÓWKA

W przypadku stosowania nowych szczotek węglowych maszyna może pracować przez pierwsze 15 minut wyłącznie w zielonym zakresie – wskaźnik LED w rękojeści..

- **Upewnić się, że w razie potrzeby stosowane są wyłącznie oryginalne części zamienne BAIER oraz oryginalny osprzęt BAIER.**  
*Części oryginalne można nabyć w autoryzowanych punktach sprzedaży. W przypadku zastosowania nieoryginalnych części zamiennych nie można wykluczyć uszkodzenia maszyny i zwiększonego ryzyka wypadku.*
- **Wymagana jest regularna konserwacja przez Maschinenfabrik OTTO BAIER GmbH lub przez autoryzowany przez nas zakład konserwacyjny i naprawczy.**  
*Przyczyną wielu wypadków jest niewłaściwa konserwacja elektronarzędzi.*

## 2.6.7 Objaśnienie piktoграмów na bruzdownicy diamentowej



Znak CE umieszczony na wyrobie oznacza, że wyrób jest zgodny ze wszystkimi obowiązującymi przepisami europejskimi i został poddany wymaganym ocenom zgodności.



### Urządzenie klasy ochrony II

Dzięki odpowiedniej izolacji maszyna nie posiada żadnych elementów metalowych, które można dotknąć i które w razie usterki mogłyby znajdować się pod napięciem. Urządzenie nie posiada przewodu ochronnego.



### Ekologiczna utylizacja zużytych urządzeń

W zużytych urządzeniach znajdują się cenne materiały, które można poddać recyklingowi i ponownie wykorzystać. Akumulatory, smary i podobne substancje nie mogą przedostać się do środowiska. Dlatego zużyte urządzenia należy utylizować za pośrednictwem punktów zbioru odpadów.



### Nosić środki ochrony słuchu!

Typowy poziom hałasu z oceną A niniejszego elektronarzędzia podczas pracy wynosi ponad 85 dB (A) – nosić środki ochrony słuchu!



### Nosić wyposażenie ochronne!



### Zapoznać się z instrukcją obsługi!

Przed przystąpieniem do jakichkolwiek prac przy maszynie i z jej wykorzystaniem dokładnie zapoznać się z instrukcją obsługi oraz zasadami bezpieczeństwa i ostrzeżeniami i ich przestrzegać.



## 3 Cechy techniczne

### 3.1 Dane techniczne

Typ bruzdownicy diamentowej	BDN 452	BDN 453	BDN 454	BDN 455
Producent	Maschinenfabrik OTTO BAIER GmbH			
Napięcie robocze (V / Hz)	~230 / 50/60			
Pobór mocy (W)	1650	1800	1800	2150
Klasa ochrony	□/II	□/II	□/II	□/II
Prędkość obrotowa na biegu jałowym (min <sup>-1</sup> )	7800	7800	4100	7200
Średnica tarczy (mm)	150	150	185	185
Maksymalna grubość tarczy (mm)	3,5	3,5	3,5	3,5
Szerokość frezowania (mm)	7–27	7–35	9–43	9–43
Głębokość frezowania (mm)	7–30	7–45	15–60	15–60
Masa (kg)				
Maszyna <sup>1)</sup>	5,3	5,6	6,6	5,8
Tarcza tnąca	0,220	0,220	0,380	0,380
Regulacja obrotów	tak	tak	tak	tak
Pomiar hałasu <sup>2)</sup>	K = 3 dB			
L <sub>PA</sub> (ciśnienie akustyczne) dB (A)	95	95	99	95
L <sub>WA</sub> (moc akustyczna) dB (A)	106	106	110	106
Pomiar wstrząsów: <sup>6)</sup>	K = 1,5 m/s <sup>2</sup>			
Rękojeść przednia (1) <b>1</b> m/s <sup>2</sup>	2,79	2,79	2,11	3,32
Rękojeść tylna (2) <b>1</b> m/s <sup>2</sup>	3,73	3,73	3,24	4,47

Typ bruzdownicy diamentowej	BDN 463/4	BDN 464/4	BDN 466/6
Producent	Maschinenfabrik OTTO BAIER GmbH		
Napięcie robocze (V / Hz)	~230 / 50/60		
Pobór mocy (W)	2150	2400	2400
Klasa ochrony	□/II	□/II	□/II
Prędkość obrotowa na biegu jałowym (min <sup>-1</sup> )	8200	7200	7200
Średnica tarczy (mm)	150	185	150
Maksymalna grubość tarczy (mm)	3,5	3,5	3,5
Szerokość frezowania (mm)	7–35 <sup>3)</sup>	9–43 <sup>4)</sup>	7–35 <sup>5)</sup>
Głębokość frezowania (mm)	7–45	15–60	7–45
Masa (kg)			
Maszyna <sup>1)</sup>	5,6	6,4	6,2
Tarcza tnąca	0,220	0,380	0,220
Regulacja obrotów	tak	tak	tak
Pomiar hałasu <sup>2)</sup>	K = 3 dB		
L <sub>PA</sub> (ciśnienie akustyczne) dB (A)	95	96	96
L <sub>WA</sub> (moc akustyczna) dB (A)	106	107	107
Pomiar wstrząsów: <sup>6)</sup>	K = 1,5 m/s <sup>2</sup>		
Rękojeść przednia (1) <b>1</b> m/s <sup>2</sup>	3,32	3,45	2,6
Rękojeść tylna (2) <b>1</b> m/s <sup>2</sup>	4,47	4,61	3,8

<sup>1)</sup> Masa bez narzędzia roboczego i przewodu przyłączeniowego.

<sup>2)</sup> Wartości pomiaru hałasu ustalono na podstawie normy EN 60745. **Nosić środki ochrony słuchu!**

<sup>3)</sup> Przy szerokości frezowania 7–18 mm powstaje rowek bez materiału między szczelinami.

<sup>4)</sup> Przy szerokości frezowania 9–18 mm powstaje rowek bez materiału między szczelinami.

<sup>5)</sup> Przy szerokości frezowania 26 mm powstaje rowek bez materiału między szczelinami.

<sup>6)</sup> Wartości całkowite drgań (suma wektorowa trzech kierunków) obliczono w oparciu o normę EN 60745 (c.d. na następnym stronie).

Opisane w niniejszej instrukcji obsługi wartości emisji drgań zostały zmierzone zgodnie z jedną z metod pomiaru określonych w normie EN 60745 i można je wykorzystywać do porównywania elektronarzędzi między sobą. Wartości te nadają się również do wstępnej oceny ekspozycji na drgania. Podane wartości emisji drgań odzwierciedlają główne zastosowania elektronarzędzia. Jeśli elektronarzędzie będzie wykorzystywane w ramach innych zastosowań, z innymi narzędziami roboczymi lub nie będzie dostatecznie konserwowane, może to znacznie zwiększyć ekspozycję na drgania przez cały okres pracy. W celu dokładnego oszacowania wartości emisji drgań należy również uwzględnić okresy, w których urządzenie jest wyłączone albo jest włączone, jednak nie jest rzeczywiście używane. Może to znacznie zmniejszyć ekspozycję na drgania w całym okresie pracy.



## OSTRZEŻENIE

Zagrożenie zdrowia wskutek wstrząsów.

- W celu ochrony operatora należy zastosować dodatkowe środki bezpieczeństwa, np. noszenie antywibracyjnych rękawic ochronnych, prawidłowa konserwacja elektronarzędzia i narzędzi roboczych, utrzymanie ciepła dłoni oraz właściwa organizacja przebiegu prac.

## 3.2 Deklaracja zgodności UE

**CE** Niniejszym oświadczamy na naszą wyłączną odpowiedzialność, że niniejsze wyroby są zgodne z następującymi normami lub dokumentami normatywnymi:

EN 60745

zgodnie z postanowieniami dyrektyw 2006/42/WE; 2014/30/UE; 2011/65/UE

Kierownik ds. rozwoju jest upoważniony do sporządzania dokumentacji technicznych.

Można je uzyskać w firmie:

Maschinenfabrik OTTO BAIER GmbH,  
Heckenwiesen 26,  
71679 Asperg  
Niemcy

Thomas Schwab  
Dyrektor

Robert Pichl  
Kierownik ds. rozwoju

Asperg, dn. 4.09.2018 r.

## 3.3 Własności maszyny

Maszyna posiada specjalnie zaprojektowany układ regulacji. Układ nadzoruje liczbę obrotów i za pomocą zielonych/czerwonych lampek sygnalizacyjnych (pozycja 13 i 14, patrz rysunek 1) pozwala uzyskać najbardziej korzystny postęp prac, a w efekcie stworzyć warunki robocze chroniące narzędzie.

Wskaźnik optyczny

zielony: liczba obrotów przy optymalnej wydajności frezowania

czerwony: za niska liczba obrotów – wyłączenie

Jeśli ten sygnał ostrzegawczy zostanie zignorowany, to znaczy jeśli posuw nie zostanie zmniejszony, układ regulacji wyłączy maszynę w razie przeciążenia. Po zatrzymaniu tarczy diamentowe do cięcia na sucho należy wyjąć ze szczeliny. Maszynę można od razu ponownie uruchomić.

## 3.4 Części maszyny i elementy obsługowe

(patrz rysunek 1)

- 1 Włącznik/wyłącznik
- 2 Rękojeść
- 3 Tylna rolka jezdna
- 4 Króciec przyłącza węża odpylacza
- 5 Strzałka kierunku obrotów
- 6 Podkładka dociskowa
- 7 Śruba z łbem sześciokątnym (gwint lewy)
- 8 Tarcza diamentowa do cięcia na sucho
- 9 Osłona ochronna
- 10 Przednia rolka jezdna
- 11 Przednia rękojeść
- 12 Dźwignia zaciskowa (w BDN 463/4 i BDN 466/6) lub śruba z łbem sześciokątnym (w BDN 452, BDN 453, BDN 454, BDN 455 i BDN 464/4)
- 13 Zielona dioda LED
- 14 Czerwona dioda LED
- 1 Kierunek pracy

### 3.5 Zastosowanie zgodne z przeznaczeniem

Opisywane w niniejszej instrukcji obsługi bruzdownice diamentowe są dopuszczone tylko do cięcia na sucho w murze (cegłe, cegle wapieniopiaskowej, kamieniu łamanym) i betonie. Nie wolno ich wykorzystywać do cięcia na mokro ani cięcia w metalu, szkle, drewnie itd.

- **Przestrzegać przepisów obowiązujących w kraju użytkowania dotyczących obrabianych materiałów.**
- Bruzdownice diamentowe są dopuszczone jedynie do użytkowania w połączeniu z odpylaczem nadającym się do pyłów kamiennych (np. odpylacz specjalny BAIER).



#### OSTRZEŻENIE

Ryzyko odniesienia obrażeń wskutek pęknięcia tarczy diamentowej do cięcia na sucho (odrzucone części).

→ Tarcze diamentowe do cięcia na sucho są przeznaczone do **prostego** cięcia.

Cięcie po linii krzywej powoduje zniekształcenie tarczy diamentowej do cięcia na sucho i prowadzi do pęknięć wewnętrznych oraz odłamywania segmentów.

- Nie poddawać tarcz diamentowych do cięcia na sucho naciskowi bocznemu.
- Pod żadnym pozorem nie wykorzystywać tarcz diamentowych do szlifowania zgrubnego.

## 4 Przed przystąpieniem do pracy

W celu zapewnienia bezpieczeństwa pracy z bruzdownicą diamentową przed każdym użyciem należy koniecznie przestrzegać następujących punktów:

- Przeczytać wszystkie zasady bezpieczeństwa i ostrzeżenia podane w niniejszej instrukcji obsługi.
- Nosić odzież ochronną, taką jak kask ochronny, maskę na twarz lub okulary ochronne, rękawice ochronne i w razie konieczności również fartuch.
- Napięcie podane na tabliczce znamionowej musi być identyczne jak napięcie sieciowe.
- Przed każdym użyciem maszyny sprawdzić przewód przyłączeniowy i wtyczkę.
- Podłączyć odpowiednie urządzenie do odsysania pyłu (np. odpylacz specjalny BAIER).



#### OSTRZEŻENIE

Ryzyko odniesienia obrażeń wskutek pęknięcia tarcz diamentowych do cięcia na sucho.

→ Stosować wyłącznie tarcze diamentowe do cięcia na sucho, których dopuszczalna liczba obrotów jest przynajmniej tak wysoka jak najwyższa liczba obrotów biegu jałowego bruzdownicy diamentowej i przestrzegać instrukcji producenta dotyczących montażu i stosowania tarcz diamentowych do cięcia na sucho.

- Stosować tarcze diamentowe do cięcia na sucho zalecane przez Maschinenfabrik OTTO BAIER GmbH w danym obszarze zastosowania (patrz tabela doboru z zalecanymi zastosowaniami na stronie 40).
- Stosować wyłącznie tarcze diamentowe do cięcia na sucho dopuszczone do cięcia dwutarczowego (podwójnego).
- Przestrzegać zasad obchodzenia się z tarczami diamentowymi do cięcia na sucho (patrz strona 40).
- Należy koniecznie zwracać uwagę na wielkość tarcz diamentowych do cięcia na sucho. Średnica otworu musi bez luzu pasować do wałka napędowego (Ø 22,2 mm).
- Do montażu tarcz diamentowych do cięcia na sucho nie stosować żadnych redukcji ani przejściówek.
- Przed przystąpieniem do pracy skontrolować prawidłowe osadzenie i zamocowanie tarcz diamentowych do cięcia na sucho.

## 5 Eksploatacja i obsługa

### 5.1 Montaż i wymiana tarcz diamentowych do cięcia na sucho

Jeśli w bruzdownicy diamentowej stosowane są dwie lub większa liczba tarcz diamentowych do cięcia na sucho, od czasu do czasu należy zmieniać je miejscami, aby uzyskać równomierne zużycie. Nierównomierne zużyte tarcze diamentowe do cięcia na sucho nie powinny być łączone w zestawy. Bruzdownica diamentowa może być również eksploatowana tylko z jedną tarczą diamentową do cięcia na sucho.

## Montaż i wymiana tarcz diamentowych do cięcia na sucho w urządzeniu:

### BDN 452, BDN 453, BDN 454 i BDN 455

- **3** Założyć pierwszą tarczę diamentową do cięcia na sucho (1) na wałek napędowy (3).
- **7** Zwrócić uwagę na strzałki kierunku obrotu na obudowie (6) i tarczy diamentowej do cięcia na sucho (9).
- **3** Założyć podkładki dystansowe (5) na wałek napędowy (3) w zależności od żądanej szerokości bruzdy.
- **3** Założyć drugą tarczę diamentową do cięcia na sucho (1) na wałek napędowy (3).
- **7** Zwrócić uwagę na strzałki kierunku obrotu na obudowie (6) i tarczy diamentowej do cięcia na sucho (9).  
W przypadku korzystania z tylko jednej tarczy diamentowej do cięcia na sucho ten etap montażu nie jest realizowany.
- **3** Założyć wszystkie pozostałe podkładki dystansowe (5) na wałek napędowy (3). Wałek napędowy (3) musi wystawać poza płaszczyznę w celu wyśrodkowania podkładki dociskowej (2).

### BDN 463/4

Maksymalną szerokość rowka bez materiału między szczelinami można uzyskać dzięki następującemu montażowi tarcz:

- **4** Założyć trzy podkładki dystansowe o grubości 3 mm każda (5a) na wałek napędowy (3).
- **4** Założyć pierwszą tarczę diamentową do cięcia na sucho (1) na wałek napędowy (3).
- **7** Zwrócić uwagę na strzałki kierunku obrotu na obudowie (6) i tarczy diamentowej do cięcia na sucho (9).
- **4** Założyć podkładkę dystansową, grubość 3 mm (5b), na wałek napędowy (3).
- **4** Teraz na zmianę zakładać kolejną tarczę diamentową do cięcia na sucho (1) i jedną podkładkę dystansową, grubość 3 mm (5b), na wałek napędowy (3).
- **7** Zwrócić uwagę na strzałki kierunku obrotu na obudowie (6) i tarczy diamentowej do cięcia na sucho (9).
- **4** Po założeniu czwartej tarczy diamentowej do cięcia na sucho założyć trzy kolejne podkładki dystansowe o grubości 3 mm każda (5c) na wałek napędowy (3). Wałek napędowy (3) musi wystawać poza płaszczyznę w celu wyśrodkowania podkładki dociskowej (2).

### BDN 464/4

Maksymalną szerokość rowka bez materiału między szczelinami można uzyskać dzięki następującemu montażowi tarcz:

- **5** Założyć pięć podkładek dystansowych o grubości 3 mm każda (5a) na wałek napędowy (3).
- **5** Założyć pierwszą tarczę diamentową do cięcia na sucho (1) na wałek napędowy (3).
- **7** Zwrócić uwagę na strzałki kierunku obrotu na obudowie (6) i tarczy diamentowej do cięcia na sucho (9).
- **5** Założyć podkładkę dystansową, grubość 3 mm (5b), na wałek napędowy (3).
- **5** Teraz na zmianę zakładać kolejną tarczę diamentową do cięcia na sucho (1) i jedną podkładkę dystansową, grubość 3 mm (5b), na wałek napędowy (3).
- **7** Zwrócić uwagę na strzałki kierunku obrotu na obudowie (6) i tarczy diamentowej do cięcia na sucho (9).
- **5** Po założeniu czwartej tarczy diamentowej do cięcia na sucho założyć trzy kolejne podkładki dystansowe o grubości 3 mm każda (5c) na wałek napędowy (3). Wałek napędowy (3) musi wystawać poza płaszczyznę w celu wyśrodkowania podkładki dociskowej (2).

### BDN 466/6

Maksymalną szerokość rowka bez materiału między szczelinami można uzyskać dzięki następującemu montażowi tarcz:

- **6** Założyć jedną podkładkę dystansową, grubość 3 mm (5a), i jedną podkładkę dystansową, grubość 2 mm (5b), na wałek napędowy (3).
- **6** Założyć pierwszą tarczę diamentową do cięcia na sucho (1) na wałek napędowy (3).
- **7** Zwrócić uwagę na strzałki kierunku obrotu na obudowie (6) i tarczy diamentowej do cięcia na sucho (9).
- **6** Założyć podkładkę dystansową, grubość 3 mm (5c), na wałek napędowy (3).
- **6** Teraz na zmianę zakładać kolejną tarczę diamentową do cięcia na sucho (1) i jedną podkładkę dystansową, grubość 3 mm (5c), na wałek napędowy (3).
- **7** Zwrócić uwagę na strzałki kierunku obrotu na obudowie (6) i tarczy diamentowej do cięcia na sucho (9).
- **6** Po założeniu szóstej tarczy diamentowej do cięcia na sucho założyć dwie kolejne podkładki dystansowe o grubości 2 mm każda (5d) na wałek napędowy (3). Wałek napędowy (3) musi wystawać poza płaszczyznę w celu wyśrodkowania podkładki dociskowej (2).

BDN 452, BDN 453, BDN 454, BDN 455,  
BDN 463/4, BDN 464/4 i BDN 466/6



### WSKAZÓWKA

Otwór w podkładce dociskowej nie jest wykonany pośrodku.

- **3** do **7** Założyć podkładkę dociskową (2). Ustawić gwint w wałku napędowym (3) względem otworu w podkładce dociskowej (2), aby się pokrywały.



### WSKAZÓWKA

Śruba z łbem sześciokątnym posiada gwint lewy.

- **3** do **7** Przy pomocy śruby z łbem sześciokątnym (4) przykręcić podkładkę dociskową (2) do wałka napędowego (3) (gwint lewy).
- **7** Dokręcić kluczem płaskim w rozm. 13 (8) (10 Nm), przytrzymując podkładkę dociskową (2) kluczem hakowym (7).
- Skontrolować osadzenie tarcz diamentowych do cięcia na sucho. Tarcze diamentowe do cięcia na sucho muszą być zamontowane w sposób wyżej opisany i muszą się swobodnie obracać.



### WSKAZÓWKA

Jeśli tarcze diamentowe do cięcia na sucho nie będą ściśle osadzone, pod podkładką dociskową należy zamontować kolejną podkładkę dystansową 2 mm.



### OSTRZEŻENIE

Ryzyko odniesienia obrażeń wskutek pęknięcia tarczy diamentowej do cięcia na sucho (odrzucone części) spowodowanego przez uszkodzenie, bicie lub wibracje tarcz diamentowych do cięcia na sucho.

- Przy rozruchu próbnym maszyny trzymać tarcze diamentowe do cięcia na sucho z dala od ciała i nie dotykać ani nie chwycić ich. Uszkodzone, bijące lub wibrujące tarcze diamentowe do cięcia na sucho niezwłocznie wymieniać.
- Rozruch próbny wykonywać przez co najmniej 30 sekund bez obciążenia.

## 5.2 Ustawianie głębokości cięcia

BDN 452, BDN 453, BDN 454, BDN 455  
i BDN 464/4

- **8/9** Poluzować nakrętkę sześciokątną (1) na osłonie ochronnej (2) kluczem płaskim o rozm. 13.
- **8/9** Obracając osłonę ochronną (2), ustawić głębokość frezowania (3).
- **8/9** Dokręcić nakrętkę sześciokątną (1).

BDN 463/4 i BDN 466/6

- **10/11** Zwolnić dźwignię zaciskową (1) przy osłonie ochronnej (2).
- **10/11** Obracając osłonę ochronną (2), ustawić głębokość frezowania (3).
- **10/11** Dokręcić dźwignię zaciskową (1).

## 5.3 Podłączanie odsysacza pyłu

BDN 452, BDN 453, BDN 454, BDN 455,  
BDN 463/4, BDN 464/4 i BDN 466/6

- Sprawdzić, czy odpylacz działa prawidłowo.
- **12** Nasunąć wąż odpylacza (3) mocno na króciec (2) osłony ochronnej (1).




### WSKAZÓWKA

Króciec (2) pasuje do węża odsysającego (3) odpylacza specjalnego BAIER.

**12** Do założenia zimnego węża odsysającego (3) na króciec (2) bruzdownicy diamentowej niezbędna jest duża siła.

## 5.4 Włączanie bruzdownicy diamentowej i frezowanie

**BDN 452, BDN 453, BDN 454, BDN 455,  
BDN 463/4, BDN 464/4 i BDN 466/6**

- **13** Bruzdownicę diamentową trzymać zawsze obydwo rękami za rękojeści (2)/(6).
- **13** Przyłożyć przednią rolkę (1) do ściany – tarcze diamentowe do cięcia na sucho nie mogą dotykać ściany.
- **13** Włączyć bruzdownicę diamentową włącznikiem/wyłącznikiem (5) i odczekać do chwili uzyskania roboczej liczby obrotów – zielona dioda LED (3) zaświeca się.
- **13** Równomiernie zagłębiać tarcze diamentowe do cięcia na sucho w ścianie – zielona dioda LED (3) nie może zgasnąć.
- **13** Z chwilą oparcia tylnej rolki jezdnej (7) na ścianie bruzdownicę diamentową można przesuwac zgodnie z linią przewidzianej bruzdy.
- **1 13** Kierunek pracy  bruzdownicy diamentowej.



### OSTROŻNIE

Tarcze diamentowe do cięcia na sucho mogą się stępić lub ulec zniszczeniu wskutek przegrzania. Przegrzanej tarczy diamentowej do cięcia na sucho (z niebieskim nalotem) z reguły nie daje się naostrzyć.

- Posuw może być tylko na tyle duży, aby tarcze diamentowe do cięcia na sucho ścierały materiał. Dlatego nie należy wywierać nadmiernego nacisku na tarcze diamentowe do cięcia na sucho i unikać przekrzywienia. Przestrzegać zasad obchodzenia się z tarczami diamentowymi do cięcia na sucho (patrz strona 40).

**13** Jeśli posuw będzie za szybki, zaświeci się czerwona dioda LED (4). Wtedy niezwłocznie zmniejszyć posuw, aż ponownie zaświeci się zielona dioda LED (3).

Jeśli ten sygnał ostrzegawczy zostanie zignorowany, to znaczy jeśli posuw nie zostanie zmniejszony, układ regulacji wyłączy maszynę w razie przeciążenia.



### NIEBEZPIECZEŃSTWO

Ryzyko odniesienia obrażeń wskutek niekontrolowanego odrzutu bruzdownicy diamentowej spowodowane przekrzywieniem bruzdownicy diamentowej w wyfrezowanej szczelinie.

- Zawsze zaczekać, aż tarcze diamentowe do cięcia na sucho całkowicie się zatrzymają, i dopiero wtedy wyjąć bruzdownicę diamentową z wyfrezowanej szczeliny.

Frezowanie można wtedy rozpocząć i kontynuować w sposób opisany powyżej. (patrz „rozd. 5.4 Włączanie bruzdownicy diamentowej i frezowanie”).



### WSKAZÓWKA

Jeśli tarcza diamentowa do cięcia na sucho nie będzie miała dostatecznej wydajności cięcia, bruzdownica diamentowa również się wyłączy. W takim przypadku należy sprawdzić, czy dla danego zastosowania dobrana została prawidłowa tarcza diamentowa do cięcia na sucho (patrz tabela doboru tarcz diamentowych do cięcia na sucho na stronie 40). Przestrzegać zasad obchodzenia się z tarczami diamentowymi do cięcia na sucho (patrz strona 40).

## 5.5 Zakończenie frezowania

**BDN 452, BDN 453, BDN 454, BDN 455,  
BDN 463/4, BDN 464/4 i BDN 466/6**



### NIEBEZPIECZEŃSTWO

Ryzyko odniesienia obrażeń wskutek niekontrolowanego odrzutu bruzdownicy diamentowej spowodowane przekrzywieniem bruzdownicy diamentowej w wyfrezowanej szczelinie.

- Zawsze zaczekać, aż tarcze diamentowe do cięcia na sucho całkowicie się zatrzymają, i dopiero wtedy wyjąć bruzdownicę diamentową z wyfrezowanej szczeliny.
- **13** Wyłączyć bruzdownicę diamentową włącznikiem/wyłącznikiem (5) i wyjąć z bruzdy dopiero po zatrzymaniu się tarcz diamentowych do cięcia na sucho, a następnie odłożyć.



### OSTROŻNIE

Ryzyko pęknięcia tarcz diamentowych do cięcia na sucho!

- Pod żadnym pozorem nie wybijać materiału między szczelinami za pomocą tarcz diamentowych do cięcia na sucho.

**BDN 452, BDN 453 BDN 454 i BDN 455**

- **14** Materiał między wykonanymi szczelinami w ścianie wybić odpowiednim narzędziem (np. dłutem, młotem dłutującym BAIER BMH 622).

## BDN 463/4 i BDN 464/4

- **15** Przy szerokości frezowania do 18 mm powstaje rowek bez materiału między szczelinami.
- **14** Przy szerokości frezowania powyżej 18 mm materiał z bruzdy wybić odpowiednim narzędziem (np. dłutem, młotem dłutującym BAIER BMH 622).

## BDN 466/6

- **15** Przy szerokości frezowania 26 mm powstaje rowek bez materiału między szczelinami.
- **14** Przy szerokości frezowania powyżej 26 mm materiał z bruzdy wybić odpowiednim narzędziem (np. dłutem, młotem dłutującym BAIER BMH 622).

## BDN 452, BDN 453, BDN 454, BDN 455, BDN 463/4, BDN 464/4 i BDN 466/6



### WSKAZÓWKA

Tępe tarcze diamentowe do cięcia na sucho można w razie potrzeby naostrzyć płytami ostrzącymi BAIER lub innym odpowiednim materiałem. Przestrzegać zasad obchodzenia się z tarczami diamentowymi do cięcia na sucho (patrz strona 40).

## 6 Czystczenie



### NIEBEZPIECZEŃSTWO

Ryzyko odniesienia obrażeń wskutek porażenia prądem elektrycznym.

- Przed przystąpieniem do wszelkich prac przy bruzdownicy diamentowej odłączyć wtyczkę sieciową.

Po każdym frezowaniu maszynę należy oczyścić.

- Maszynę dokładnie oczyścić i przedmuchać sprężonym powietrzem.
- Zwracać uwagę, aby rękojeści były suche i odtłuszczone.

## 7 Konserwacja



### NIEBEZPIECZEŃSTWO

Ryzyko odniesienia obrażeń wskutek porażenia prądem elektrycznym.

- Przed przystąpieniem do wszelkich prac przy bruzdownicy diamentowej odłączyć wtyczkę sieciową.

Konserwacji bruzdownicy diamentowej należy dokonywać przynajmniej raz do roku. Ponadto konserwacja konieczna jest zawsze po zużyciu szczotek węglowych.

Obsługę techniczną maszyny można powierzyć wyłącznie zakładom konserwacyjnym i naprawczym autoryzowanym przez Maschinenfabrik OTTO BAIER GmbH. Upewnić się, że stosowane są wyłącznie oryginalne części zamienne BAIER oraz oryginalny osprzęt BAIER.

## 8 Zalecane zastosowania tarcz diamentowych do cięcia na sucho BAIER

Zastosowanie	Kolor kodowy tarcz diamentowych do cięcia				
	nie-bieski	biały	srebrny <sup>1)</sup>	żółty	złoty
Granit	x			xxx	
Beton	xx		xxx	xxx	xx
Cegła betonowa	xxx	x	xx	xx	xx
Cegła wapieniopiaskowa	x	xxx	xxx	x	xxx
Cegła		xxx	xxx		xxx
Poroton		xxx	xxx		xxx
Gazobeton			xxx		xxx
Tynk			xxx		xxx

xxx nadaje się optymalnie

xx nadaje się dobrze

x nadaje się

<sup>1)</sup> tylko do BDN 464/4

## 9 Obchodzenie się z tarczami diamentowymi do cięcia na sucho

- Tarcze diamentowe do cięcia na sucho zawsze stosować i przechowywać zgodnie z informacjami podanymi przez producenta.
- Zbyt miękkie segmenty diamentowe:
  - Tarcze diamentowe do cięcia na sucho zużywają się zbyt szybko przy bardzo dużej wydajności usuwania materiału.  
**Rozwiązanie:** Obrabiany materiał wymaga zastosowania tarcz diamentowych do cięcia z twardszym wiązaniem.
- Zbyt twarde segmenty diamentowe:
  - Ziarna diamentowe tępią się i nie wyłamują się z wiązania. Zanik wydajności cięcia tarcz diamentowych do cięcia na sucho.  
**Rozwiązanie:** Obrabiany materiał wymaga zastosowania tarcz diamentowych do cięcia z bardziej miękkim wiązaniem.

- W przypadku utraty wydajności cięcia (rozpoznawanej po silnym iskrzeniu) naostrzyć tarcze diamentowe do cięcia na sucho w abrazyjnym materiale, np. piaskowcu, lub za pomocą profesjonalnej płyty ostrzącej BAIER (nr ident. 15453) – poprzez wykonanie kilku cięć.
- Nie dociskać podczas pracy – masa maszyny jest wystarczająca. Zwiększony docisk przyspiesza zużycie.
- Nadmierny nacisk podczas cięcia może doprowadzić do zmęczenia materiału rdzenia, a w efekcie do pęknięcia. Przed użyciem upewnić się, że w tarczy diamentowej do cięcia na sucho nie występują pęknięcia.
- Tarcze diamentowe do cięcia na sucho są przeznaczone do **prostego** cięcia. Cięcie po linii krzywej powoduje zniekształcenie tarczy i prowadzi do pęknięć wewnętrznych oraz odłamywania segmentów (patrz „rozd. 3.5 Zastosowanie zgodne z przeznaczeniem”) – **ryzyko odniesienia obrażeń!**
- Bruzdownicę diamentową należy zagłębiać w ścianie dopiero po uzyskaniu roboczej liczby obrotów – zielona dioda LED (3) zaświeca się.
- Mniej więcej po 2 minutach cięcia maszyna powinna dalej pracować na biegu jałowym przez 10 sekund, aby tarcze diamentowe do cięcia na sucho schłodziły się.

## 10 Narzędzia i osprzęt

- Tarcze diamentowe do cięcia na sucho BAIER do różnych zastosowań (patrz „rozd. 8 Zalecane zastosowania tarcz diamentowych do cięcia na sucho BAIER”).
- Młot dłutujący BAIER BMH 622
- Odpylacz specjalny BAIER
- Profesjonalna płyta ostrząca (nr ident. 15453)

## 11 Utylizacja



Urządzenie i jego opakowanie należy przekazać do punktu recyklingu zgodnie z przepisami obowiązującymi w danym kraju.



## 12 Zakres dostawy

Indywidualny zakres dostawy na podstawie zamówienia klienta podany jest w dołączonym liście przewozowym.

Zakres dostawy wersji podstawowych podany jest w poniższej tabeli. W razie braku lub uszkodzenia części należy skontaktować się z dystrybutorem.

Typ bruzdownicy diamentowej Wybór podstawowy	Nr id.	Tarcze diamentowe do cięcia na sucho typu				
		niebieski	biały	srebrny	żółty	złoty
BDN 452	7430					
	6937		x (2)			
BDN 453	35139					
	51185					x (2)
	58297	x (2)				x (2)
BDN 454	64816					
	47571		x (2)			
	64832	x (2)				
BDN 455	8373	x (2)				
BDN 463/4	72231					
	73254					x (2)
	75176					x (4)
BDN 464/4	6414					
	6446			x (4)		
BDN 466/6	6952					x (6)
	7102					x (12)

x w zakresie dostawy

( ) liczba dostarczonych tarcz diamentowych do cięcia na sucho

## 13 Gwarancja

Elektronarzędzia wprowadzone do obrotu przez firmę Maschinenfabrik OTTO BAIER GmbH spełniają wymagania ochrony przed zagrożeniami dla życia i zdrowia przepisów w sprawie wyposażenia technicznego.

Gwarantujemy nienaganną jakość naszych wyrobów i przejmujemy koszty naprawy, wymieniając wadliwe części lub wymieniając urządzenie na nowe w razie wad konstrukcyjnych, materiałowych i/lub produkcyjnych w okresie obowiązywania gwarancji. Przy zastosowaniu warsztatowym okres ten wynosi 12 miesięcy.

Warunkiem dochodzenia roszczeń gwarancyjnych z tytułu wad konstrukcyjnych, materiałowych i/lub produkcyjnych jest:

### 1. Dowód zakupu i przestrzeganie instrukcji obsługi

Przy dochodzeniu roszczeń z tytułu gwarancji należy zawsze przedłożyć maszynowo wystawiony, oryginalny dowód zakupu. Musi on zawierać pełny adres, datę zakupu i oznaczenie typu wyrobu.

Przestrzeganie instrukcji obsługi danej maszyny oraz zasad bezpieczeństwa jest obowiązkowe.

Szkody, których przyczyną były błędy w obsłudze, nie mogą być uznawane za roszczenie gwarancyjne.

### 2. Prawidłowe zastosowanie maszyny

Wyroby firmy Maschinenfabrik OTTO BAIER GmbH są projektowane i produkowane do określonych zastosowań.

Nieprzestrzeganie zasady zastosowania zgodnego z przeznaczeniem na podstawie instrukcji obsługi lub zastosowanie maszyny do innych celów albo w przypadku wykorzystania niewłaściwego osprzętu powoduje wygaśnięcie praw gwarancyjnych. Gwarancja nie obejmuje zastosowania maszyn w trybie pracy ciągłej lub akordowej oraz wynajmu i wypożyczenia.

### 3. Przestrzeganie terminów konserwacji

Warunkiem roszczeń gwarancyjnych jest regularna konserwacja przez autoryzowany przez nas zakład konserwacyjny i naprawczy. Konserwacji należy dokonać zawsze po zużyciu szczotek węglowych, jednak przynajmniej raz do roku.

Maszynę należy czyścić zgodnie z informacjami podanymi w niniejszej instrukcji obsługi.

W przypadku ingerencji w maszynę przez osoby trzecie (otwarcie maszyny) wygasa prawo gwarancyjne.

Prace konserwacyjne i czyszczenie generalnie nie są tytułem do praw gwarancyjnych.

### 4. Stosowanie oryginalnych części zamiennych BAIER

Upewnić się, że stosowane są wyłącznie oryginalne części zamienne BAIER oraz oryginalny osprzęt BAIER. Można je nabyć w autoryzowanych punktach sprzedaży. Rodzaj i ilość smaru podane są na obowiązującej liście smarów. W przypadku zastosowania nieoryginalnych części zamiennych nie można wykluczyć szkód następczych i zwiększonego ryzyka wypadku. Gwarancja nie obejmuje maszyn zdemontowanych, częściowo zdemontowanych lub naprawianych przy użyciu części obcych producentów.

### 5. Części eksploatacyjne

Niektóre elementy ulegają zużyciu w trakcie eksploatacji bądź zwykłemu zużyciu wynikającemu z użytkowania danego elektronarzędzia. Do tych elementów należą m.in. szczotki węglowe, łożyska kulkowe, wyłączniki, kable sieciowe, uszczelki i pierścienie uszczelniające wałki. Gwarancja nie obejmuje części eksploatacyjnych.





Maschinenfabrik OTTO BAIER GmbH  
Heckenwiesen 26, 71679 Asperg, Deutschland

Tel. +49 (0) 7141 30 32-0      Fax +49 (0) 7141 30 32-43  
info@baier-tools.com      www.baier-tools.com

BAIER S.A.R.L.  
19, rue Nicéphore Niépce  
F-14120 Mondeville

info@baier.fr  
www.baier.fr

OTTO BAIER Italiana S.r.l.  
Via della Liberazione 21  
I-20098 San Giuliano Milanese (MI)

Tel. 02 – 98 28 09 53  
Fax 02 – 98 28 10 37

otto@ottobaier.it  
www.ottobaier.it

BAIER Scandinavia Aps  
Hammerbakken 12 – 14  
DK-3460 Birkerød

Tlf. 45 94 22 00  
Fax 45 94 22 02

baier@baier.dk  
www.baier.dk